

6.17 Válvula de bola ISO Top VITON®

Información del producto

Material

- PVC-U = cloruro de polivinilo sin plastificar

Juntas

- VITON®

Fabricación

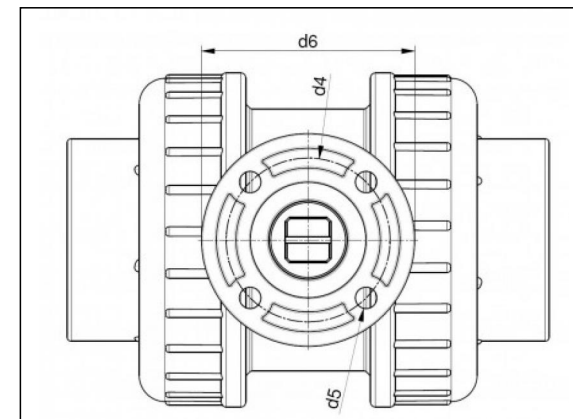
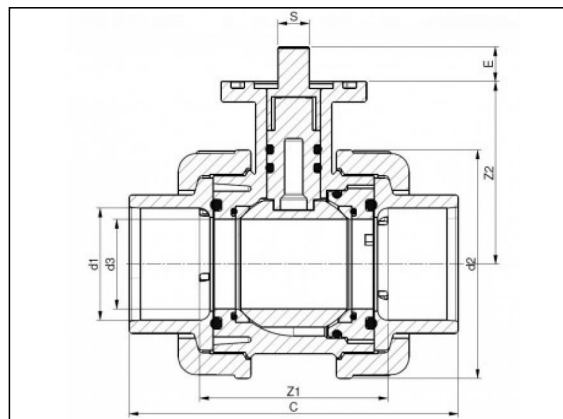
- Moldeado por inyección

Piezas



6.24 Tuerca
union válvula
de

6.26
Portabrida
encolar



Van de Lande BV

Lissenveld 1 \ 4941 VK Raamsdonksveer \ The Netherlands \ t +31 (0)162 51 60 00 \ f +31 (0)162 52 14 17 \ sales@vandelande.com
Traderegister Tilburg: 18070844 \ IBAN: NL13 RABO 0143 0035 26 \ BIC: RABONL2U \ VAT: NL 8123.91.755.B01

All our transactions are subject to the Van de Lande General Terms of Sale. A copy of these can be provided immediately upon your request.

Artículos disponibles

ART.CODE	d1	d2	d3	Z1	Z2	C	DN	PN	d4	d5	d6	E	S	ISO521 1	Torque (min.)	Verp
6.17.032	32	73	25	64	60.5	110	25	16	42	5.5	54	11	11	F04-Y- L-11	4.5 Nm	12 (6x2)
6.17.050	50	102	40	87	81.5	150	40	16	50	6.5	65	15	14	F05-Y- L-14	7.5 Nm	6 (6x1)
6.17.063	63	124	50	102	93.5	180	50	16	50	6.5	65	15	14	F05-Y- L-14	11 Nm	6 (6x1)

Van de Lande BV

Lissenveld 1 \ 4941 VK Raamsdonksveer \ The Netherlands \ t +31 (0)162 51 60 00 \ f +31 (0)162 52 14 17 \ sales@vandelande.com

Traderegister Tilburg: 18070844 \ IBAN: NL13 RABO 0143 0035 26 \ BIC: RABONL2U \ VAT: NL 8123.91.755.B01

All our transactions are subject to the Van de Lande General Terms of Sale. A copy of these can be provided immediately upon your request.