

6.32 Portabrida encolar rosca mancho

Información del producto

Características

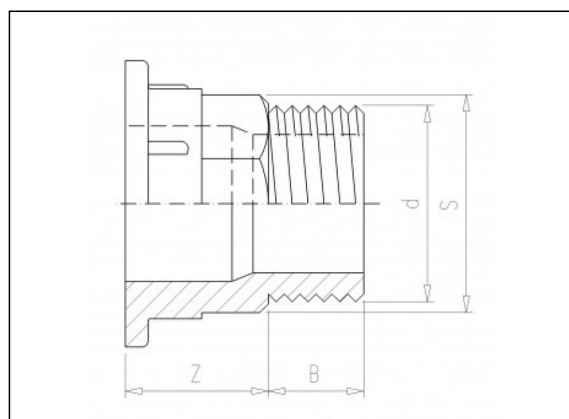
- Rosca macho BSP

Material

- PVC-U = cloruro de polivinilo sin plastificar

Fabricación

- Moldeado por inyección



Artículos disponibles

ART.CODE	d	Z	B	S	DN	Verp
6.32.020	1/2" (M)	22	16	27	15	50
6.32.025	3/4" (M)	22	17	32	20	50
6.32.032	1" (M)	25	21	36	25	50
6.32.040	1 1/4" (M)	29	23	46	32	20

Van de Lande BV

Lissenveld 1 \ 4941 VK Raamsdonksveer \ The Netherlands \ t +31 (0)162 51 60 00 \ f +31 (0)162 52 14 17 \ sales@vandelande.com
 Traderegister Tilburg: 18070844 \ IBAN: NL13 RABO 0143 0035 26 \ BIC: RABONL2U \ VAT: NL 8123.91.755.B01

ART.CODE	d	Z	B	S	DN	Verp
6.32.050	1 1/2" (M)	35	23	55	40	20
6.32.063	2" (M)	41	27	65	50	20

Van de Lande BV

Lissenveld 1 \ 4941 VK Raamsdonksveer \ The Netherlands \ t +31 (0)162 51 60 00 \ f +31 (0)162 52 14 17 \ sales@vandelande.com
Traderegister Tilburg: 18070844 \ IBAN: NL13 RABO 0143 0035 26 \ BIC: RABONL2U \ VAT: NL 8123.91.755.B01

All our transactions are subject to the Van de Lande General Terms of Sale. A copy of these can be provided immediately upon your request.