

6.14 Válvula de bola ISO Top

Información del producto

Material

- PVC-U = cloruro de polivinilo sin plastificar

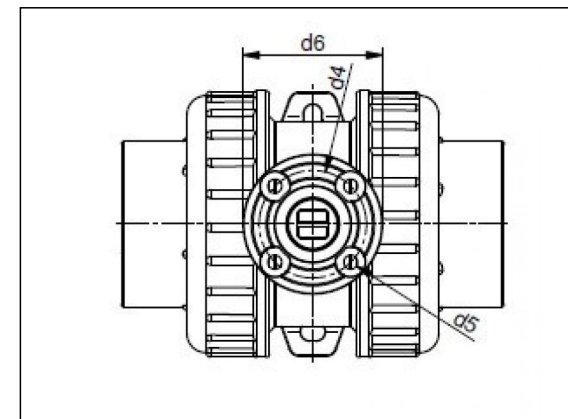
Juntas

- EPDM

Fabricación

- Moldeado por inyección

Piezas



Van de Lande BV

Lissenveld 1 \ 4941 VK Raamsdonksveer \ The Netherlands \ t +31 (0)162 51 60 00 \ f +31 (0)162 52 14 17 \ sales@vandelande.com
Traderegister Tilburg: 18070844 \ IBAN: NL13 RABO 0143 0035 26 \ BIC: RABONL2U \ VAT: NL 8123.91.755.B01

All our transactions are subject to the Van de Lande General Terms of Sale. A copy of these can be provided immediately upon your request.

Artículos disponibles

| ART.CODE | d1 | d2 | d3 | Z1 | Z2 | C | DN | PN | d4 | d5 | d6 | E | S | ISO52 11 | Torque (min.) | Type | Verp |
|----------|--------|-----|----|-----|------|-----|----|----|----|-----|----|----|----|----------------|------------------|------|------|
| 6.14.033 | 1 | 73 | 25 | 64 | 60.5 | 110 | 25 | 16 | 42 | 5.5 | 54 | 11 | 11 | F04-Y- L-11 | 4.5Nm | A | 12 |
| 6.14.051 | 1 1/2" | 102 | 40 | 87 | 81.5 | 150 | 40 | 16 | 50 | 6.5 | 65 | 15 | 14 | F05-Y- L-14 | 7.5Nm | A | 6 |
| 6.14.064 | 2" | 124 | 50 | 102 | 93.5 | 180 | 50 | 16 | 50 | 6.5 | 65 | 15 | 14 | F05-Y- L-14 | 11Nm | B | 6 |

Van de Lande BV

Lissenveld 1 \ 4941 VK Raamsdonksveer \ The Netherlands \ t +31 (0)162 51 60 00 \ f +31 (0)162 52 14 17 \ sales@vandelande.com

Traderegister Tilburg: 18070844 \ IBAN: NL13 RABO 0143 0035 26 \ BIC: RABONL2U \ VAT: NL 8123.91.755.B01

All our transactions are subject to the Van de Lande General Terms of Sale. A copy of these can be provided immediately upon your request.