

## 4.18 Bague de calage

### Informations sur le produit

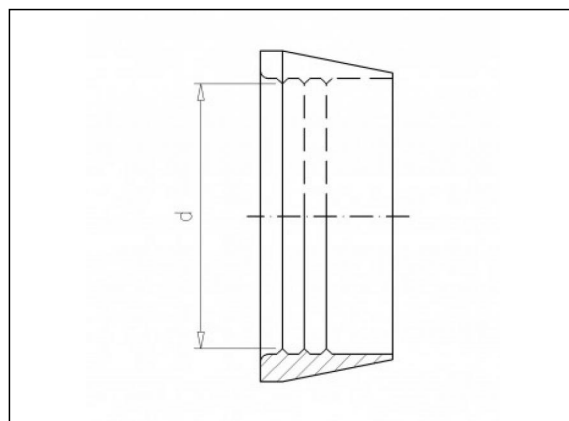
#### Fabrication

- Moulé par injection

### Pièces



5.20 Manchon  
de calage



### Articles disponibles

ART.CODE	d	Type	Verp
4.18.032	32	Soft*	100
4.18.033	33	Hard* *	100
4.18.040	40	Soft*	25
4.18.050	50	Soft*	25
4.18.063	63	Soft*	25
4.18.075	75	Soft*	25
4.18.090	90	Soft*	25

#### Van de Lande BV

Lissenveld 1 \ 4941 VK Raamsdonksveer \ The Netherlands \ t +31 (0)162 51 60 00 \ f +31 (0)162 52 14 17 \ sales@vandelande.com  
Traderegister Tilburg: 18070844 \ IBAN: NL13 RABO 0143 0035 26 \ BIC: RABONL2U \ VAT: NL 8123.91.755.B01

All our transactions are subject to the Van de Lande General Terms of Sale. A copy of these can be provided immediately upon your request.