

## 4.30 Arroseurs nylon

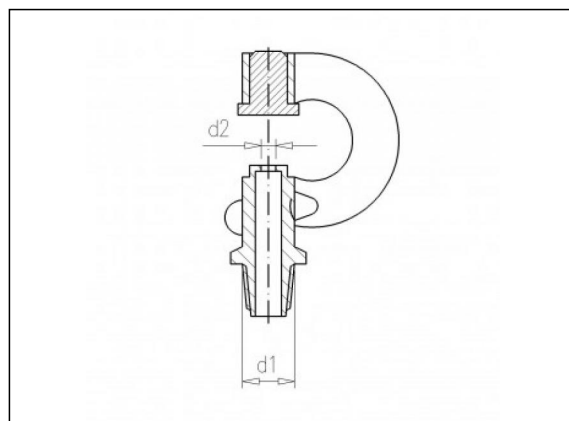
### Informations sur le produit

#### Caractéristiques

- Filetage mâle BSP

#### Fabrication

- Moulé par injection



### Articles disponibles

| ART.CODE | Description                   | d1  | d2   | Verp            |
|----------|-------------------------------|-----|------|-----------------|
| 4.30.111 | brown/bruin/braun/brun/marrón | M11 | 1.75 | 1000<br>(4x250) |
| 4.30.112 | green/groen/grün/vert/verde   | M11 | 2    | 1000<br>(4x250) |

#### Van de Lande BV

Lissenveld 1 \ 4941 VK Raamsdonksveer \ The Netherlands \ t +31 (0)162 51 60 00 \ f +31 (0)162 52 14 17 \ sales@vandelande.com  
 Traderegister Tilburg: 18070844 \ IBAN: NL13 RABO 0143 0035 26 \ BIC: RABONL2U \ VAT: NL 8123.91.755.B01

| ART.CODE | Descr<br>iption   | d1         | d2   | Verp                |
|----------|---|------------|------|---------------------|
| 4.30.113 | grey/<br>grijs/<br>grau/<br>gris/g<br>ris                   | M11        | 2.25 | 1000<br>(4x25<br>0) |
| 4.30.114 | blue/<br>blau<br>w/bla<br>u/ble<br>u/azu<br>l               | M11        | 2.5  | 1000<br>(4x25<br>0) |
| 4.30.115 | red/r<br>ood/r<br>ot/ro<br>uge/r<br>ojo                     | M11        | 2.75 | 1000<br>(4x25<br>0) |
| 4.30.116 | orang<br>e/ora<br>nje/o<br>range<br>/oran<br>ge/na<br>ranja | M11        | 3    | 1000<br>(4x25<br>0) |
| 4.30.117 | black<br>/zwar<br>t/sch<br>warz/<br>noir/<br>negro          | M11        | 3.25 | 1000<br>(4x25<br>0) |
| 4.30.381 | brow<br>n/bru<br>in/bra<br>un/br<br>un/m<br>arrón           | WW3<br>/8" | 1.75 | 1000<br>(4x25<br>0) |
| 4.30.382 | green<br>/groe<br>n/grü<br>n/ver<br>t/ver<br>de             | WW3<br>/8" | 2    | 1000<br>(4x25<br>0) |
| 4.30.383 | grey/<br>grijs/<br>grau/<br>gris/g<br>ris                   | WW3<br>/8" | 2.25 | 1000<br>(4x25<br>0) |

**Van de Lande BV**

Lissenveld 1 \ 4941 VK Raamsdonksveer \ The Netherlands \ t +31 (0)162 51 60 00 \ f +31 (0)162 52 14 17 \ sales@vandelande.com  
 Traderegister Tilburg: 18070844 \ IBAN: NL13 RABO 0143 0035 26 \ BIC: RABONL2U \ VAT: NL 8123.91.755.B01

[www.vandelande.com](http://www.vandelande.com)

| ART.CODE | Descr<br>iption   | d1         | d2   | Verp                |
|----------|---|------------|------|---------------------|
| 4.30.384 | blue/<br>blau<br>w/bla<br>u/ble<br>u/azu<br>l               | WW3<br>/8" | 2.5  | 1000<br>(4x25<br>0) |
| 4.30.385 | red/r<br>ood/r<br>ot/ro<br>uge/r<br>ojo                     | WW3<br>/8" | 2.75 | 1000<br>(4x25<br>0) |
| 4.30.386 | orang<br>e/ora<br>nje/o<br>range<br>/oran<br>ge/na<br>ranja | WW3<br>/8" | 3    | 1000<br>(4x25<br>0) |
| 4.30.387 | black<br>/zwar<br>t/sch<br>warz/<br>noir/<br>negro          | WW3<br>/8" | 3.25 | 1000<br>(4x25<br>0) |

**Van de Lande BV**

Lissenveld 1 \ 4941 VK Raamsdonksveer \ The Netherlands \ t +31 (0)162 51 60 00 \ f +31 (0)162 52 14 17 \ sales@vandelande.com  
Traderegister Tilburg: 18070844 \ IBAN: NL13 RABO 0143 0035 26 \ BIC: RABONL2U \ VAT: NL 8123.91.755.B01

[www.vandelande.com](http://www.vandelande.com)