

7.12 Te PE

Informations sur le produit

Caractéristiques

- Filetage mâle BSP

Matière

- PP = Polypropylène

Joints

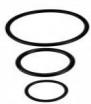
- EPDM

Fabrication

- Moulé par injection



Pièces



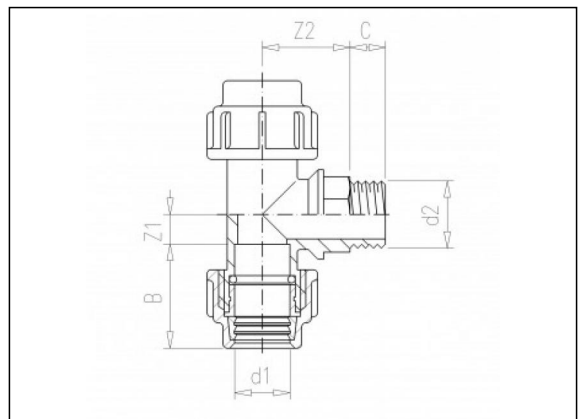
8.06 Joint torique



7.42 Écrou de raccord PE



7.44 Bague de compression



Articles disponibles

ART.CODE	d1	d2	Z1	Z2	B	C	PN	Verp
7.12.016*	16	3/8" (M)	10	34	42	13	16	100
7.12.017*	16	1/2" (M)	10	34	42	17	16	100
7.12.020*	20	1/2" (M)	12	34	47	17	16	100
7.12.021*	20	3/4" (M)	12	34	47	18	16	100
7.12.024*	25	1/2" (M)	14	37	51	16	16	75

Van de Lande BV

Lissenveld 1 \ 4941 VK Raamsdonksveer \ The Netherlands \ t +31 (0)162 51 60 00 \ f +31 (0)162 52 14 17 \ sales@vandelande.com
 Traderegister Tilburg: 18070844 \ IBAN: NL13 RABO 0143 0035 26 \ BIC: RABONL2U \ VAT: NL 8123.91.755.B01

ART.CODE	d1	d2	Z1	Z2	B	C	PN	Verp
7.12.025*	25	3/4" (M)	14	38	51	18	16	75
7.12.026*	25	1" (M)	14	38	51	21	16	75
7.12.032*	32	1" (M)	18	44	57	21	16	50
7.12.033*	32	1 1/4" (M)	18	44	57	23	16	50
7.12.040*	40	1 1/4" (M)	21	48	62	23	16	40
7.12.041*	40	1 1/2" (M)	21	49	62	23	16	40
7.12.051	50	2" (M)	28	50	95	30	16	10
7.12.062	63	1 1/2" (M)	40	60	102	24	16	6
7.12.063	63	2" (M)	40	60	102	29	16	6
7.12.074	75	2" (M)	40	72	122	29	10	4
7.12.075	75	2 1/2" (M)	40	72	122	31	10	4
7.12.076	75	3" (M)	40	72	122	32	10	4

Van de Lande BV

Lispenveld 1 \ 4941 VK Raamsdonksveer \ The Netherlands \ t +31 (0)162 51 60 00 \ f +31 (0)162 52 14 17 \ sales@vandelande.com
 Traderegister Tilburg: 18070844 \ IBAN: NL13 RABO 0143 0035 26 \ BIC: RABONL2U \ VAT: NL 8123.91.755.B01

www.vandelande.com

All our transactions are subject to the Van de Lande General Terms of Sale. A copy of these can be provided immediately upon your request.