

# 7.32 Union PE

## Informations sur le produit

### Caractéristiques

- Filetage mâle BSP

### Matière

- PP = Polypropylène

### Joint

- EPDM

### Fabrication

- Moulé par injection



## Pièces



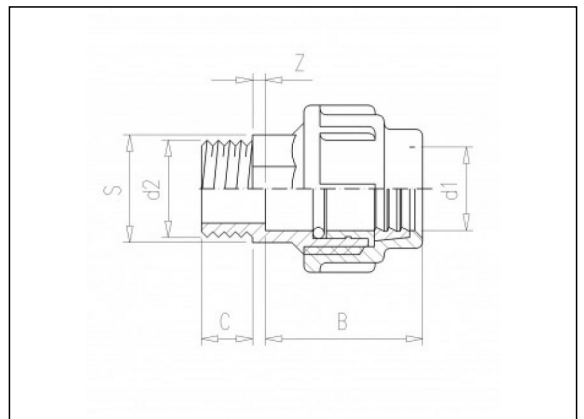
8.06 Joint torique



7.42 Écrou de raccord PE



7.44 Bague de compression



## Articles disponibles

ART.CODE	d1	d2	Z	B	C	S	PN	Verp
7.32.016*	16	3/8" (M)	4	42	12	24	16	200
7.32.017*	16	1/2" (M)	4	42	17	24	16	200
7.32.020*	20	1/2" (M)	4	47	16	27	16	200
7.32.021*	20	3/4" (M)	4	47	18	27	16	200
7.32.025*	25	1/2" (M)	4	51	16	33	16	200

### Van de Lande BV

Lissenveld 1 \ 4941 VK Raamsdonksveer \ The Netherlands \ t +31 (0)162 51 60 00 \ f +31 (0)162 52 14 17 \ sales@vandelande.com  
 Traderegister Tilburg: 18070844 \ IBAN: NL13 RABO 0143 0035 26 \ BIC: RABONL2U \ VAT: NL 8123.91.755.B01

ART.CODE	d1	d2	Z	B	C	S	PN	Verp
7.32.026*	25	3/4" (M)	4	51	17	33	16	200
7.32.027*	25	1" (M)	4	51	21	33	16	200
7.32.031*	32	1/2" (M)	5	57	16	42	16	200
7.32.032*	32	3/4" (M)	5	57	17	42	16	200
7.32.033*	32	1" (M)	5	57	21	42	16	175
7.32.034*	32	1 1/4" (M)	5	57	23	42	16	175
7.32.040*	40	1" (M)	6	62	21	51	16	100
7.32.041*	40	1 1/4" (M)	6	62	23	51	16	100
7.32.042*	40	1 1/2" (M)	6	62	23	51	16	100
7.32.050	50	1 1/2" (M)	12	92	26	-	10	24
7.32.051	50	2" (M)	12	92	26	-	16	24
7.32.062	63	1 1/2" (M)	11	110	24	-	16	18
7.32.063	63	2" (M)	11	110	25	-	16	18
7.32.074	75	2" (M)	8	124	32	-	10	12
7.32.075	75	2 1/2" (M)	8	124	34	-	10	12
7.32.076	75	3" (M)	8	124	34	-	10	13
7.32.090	90	2" (M)	13	180	34	-	10	5
7.32.091	90	3" (M)	13	180	37	-	10	5
7.32.109	110	3" (M)	30	220	32	-	10	2
7.32.110	110	4" (M)	30	220	40	-	10	2

**Van de Lande BV**

Lissenveld 1 \ 4941 VK Raamsdonksveer \ The Netherlands \ t +31 (0)162 51 60 00 \ f +31 (0)162 52 14 17 \ sales@vandelande.com  
 Traderegister Tilburg: 18070844 \ IBAN: NL13 RABO 0143 0035 26 \ BIC: RABONL2U \ VAT: NL 8123.91.755.B01

[www.vandelande.com](http://www.vandelande.com)

All our transactions are subject to the Van de Lande General Terms of Sale. A copy of these can be provided immediately upon your request.