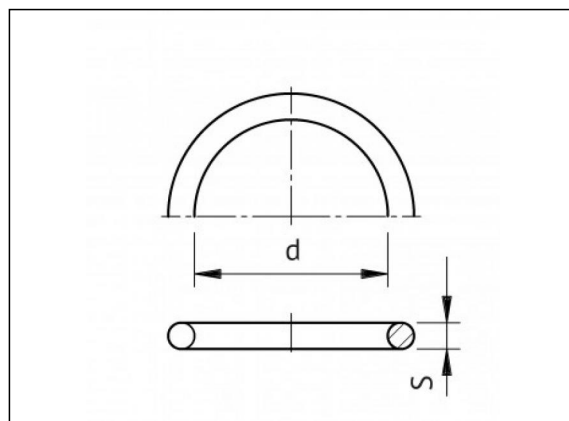
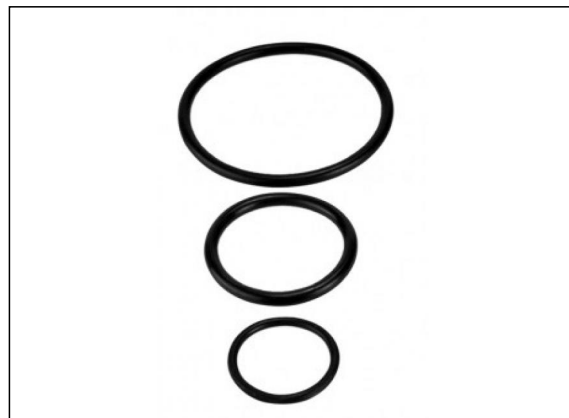


## 8.06 Joint torique

### Informations sur le produit

#### Joints

- EPDM



### Articles disponibles

ART.CODE	D	S	Verp
8.06.020	20	3.5	1000
8.06.716	16	3.5	1000
8.06.725	25	3.5	500
8.06.732	32	3.5	500
8.06.740	40	4	300
8.06.750	50	5.5	200
8.06.763	63	6	100
8.06.775	75	6	100
8.06.790	90	8	100

#### Van de Lande BV

Lissenveld 1 \ 4941 VK Raamsdonksveer \ The Netherlands \ t +31 (0)162 51 60 00 \ f +31 (0)162 52 14 17 \ sales@vandelande.com  
Traderegister Tilburg: 18070844 \ IBAN: NL13 RABO 0143 0035 26 \ BIC: RABONL2U \ VAT: NL 8123.91.755.B01

ART.CODE    D    S    Verp

---

**Van de Lande BV**

Lissenveld 1 \ 4941 VK Raamsdonksveer \ The Netherlands \ t +31 (0)162 51 60 00 \ f +31 (0)162 52 14 17 \ sales@vandelande.com  
Traderegister Tilburg: 18070844 \ IBAN: NL13 RABO 0143 0035 26 \ BIC: RABONL2U \ VAT: NL 8123.91.755.B01

All our transactions are subject to the Van de Lande General Terms of Sale. A copy of these can be provided immediately upon your request.