

5118 Bouchon long SDR17

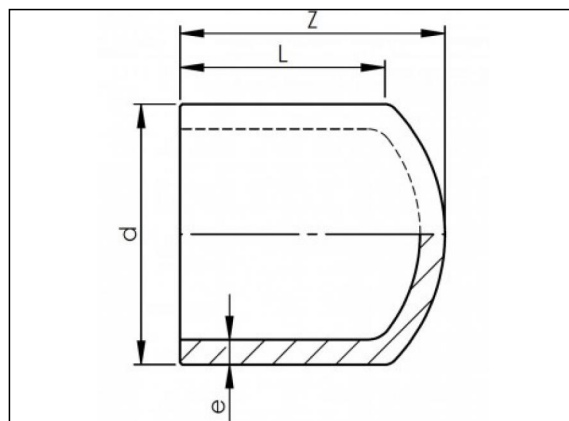
Informations sur le produit

Matière

- PE100

Fabrication

- Moulé par injection



Articles disponibles

ART.CODE	d	L	Z	e	Verp
5118106301	63	66	79	3.8	100
5118107501	75	72	88	4.5	76
5118109001	90	82	102	5.4	48
5118111001	110	87	112	6.6	24
5118112501	125	92	122	7.4	18
5118114001	140	98	129	8.3	18
5118116001	160	107	143	9.5	12
5118118001	180	115	155	10.7	6
5118120001	200	123	169	11.9	6

Van de Lande BV

Lissenveld 1 \ 4941 VK Raamsdonksveer \ The Netherlands \ t +31 (0)162 51 60 00 \ f +31 (0)162 52 14 17 \ sales@vandelande.com
Traderegister Tilburg: 18070844 \ IBAN: NL13 RABO 0143 0035 26 \ BIC: RABONL2U \ VAT: NL 8123.91.755.B01

ART.CODE	d	L	Z	e	Verp
5118122501	225	133	183	13.4	2
5118125001	250	142	200	14.8	2
5118128001	280	152	215	16.6	1
5118131501	315	165	237	18.7	1

Van de Lande BV

Lissenveld 1 \ 4941 VK Raamsdonksveer \ The Netherlands \ t +31 (0)162 51 60 00 \ f +31 (0)162 52 14 17 \ sales@vandelande.com
Traderegister Tilburg: 18070844 \ IBAN: NL13 RABO 0143 0035 26 \ BIC: RABONL2U \ VAT: NL 8123.91.755.B01

All our transactions are subject to the Van de Lande General Terms of Sale. A copy of these can be provided immediately upon your request.