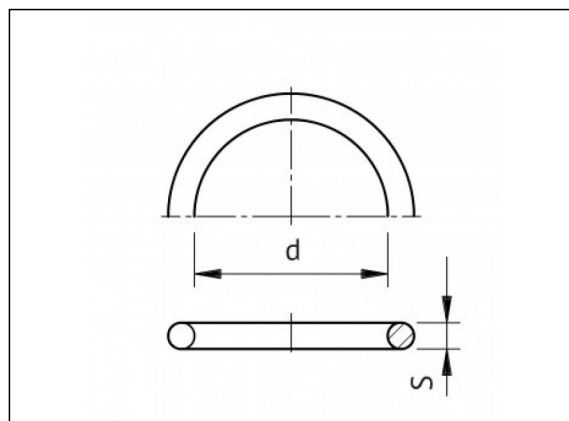
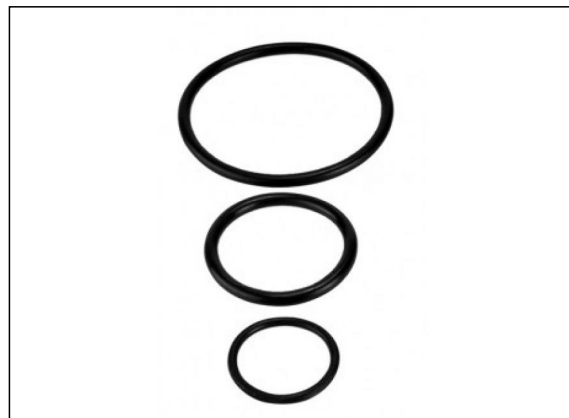


8.06 Joint torique

Informations sur le produit

Joints

- EPDM



Articles disponibles

ART.CODE	O-ring	d	S	Verp
8.06.013	A	13.00	3.00	1000
8.06.014	B	16	3	1000
8.06.015	C	17.04	3.53	1000
8.06.018	E	21.82	3.53	1000
8.06.022	F	21.59	5.33	1000
8.06.023	G	27.8	3.6	1000
8.06.024	H	27.94	5.33	100
8.06.030	I	30.8	3.6	500
8.06.031	J	31.12	5.33	100

Van de Lande BV

Lissenveld 1 \ 4941 VK Raamsdonksveer \ The Netherlands \ t +31 (0)162 51 60 00 \ f +31 (0)162 52 14 17 \ sales@vandelande.com
Traderegister Tilburg: 18070844 \ IBAN: NL13 RABO 0143 0035 26 \ BIC: RABONL2U \ VAT: NL 8123.91.755.B01

www.vandelande.com

ART.CODE	O- ring	d	S	Verp
8.06.040	K	40.64	5.33	300
8.06.055	L	50.17	5.33	100
8.06.063	M	59.69	5.33	100
8.06.073	O	75.57	5.33	50
8.06.080	Q	91.44	5.33	50

Van de Lande BV

Lissenveld 1 \ 4941 VK Raamsdonksveer \ The Netherlands \ t +31 (0)162 51 60 00 \ f +31 (0)162 52 14 17 \ sales@vandelande.com
Traderegister Tilburg: 18070844 \ IBAN: NL13 RABO 0143 0035 26 \ BIC: RABONL2U \ VAT: NL 8123.91.755.B01

All our transactions are subject to the Van de Lande General Terms of Sale. A copy of these can be provided immediately upon your request.