

# MMA Té réducteur

## Informations sur le produit

### Matière

- PVC-U = Polychlorure de vinyle rigide

### Joints

- EPDM

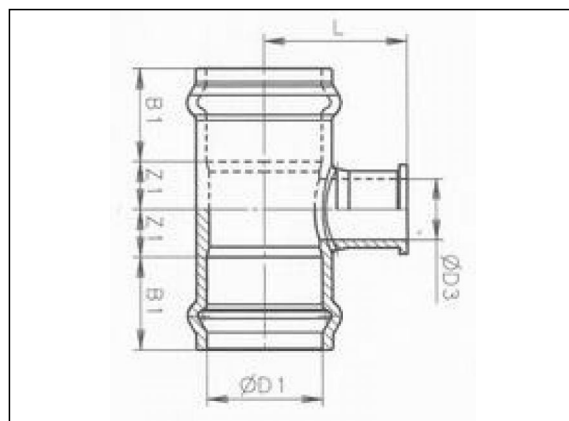
### Fabrication

- Moulé par injection

## Pièces



Bride (pour  
MMA Tés, E-  
KS, F-KS)



## Articles disponibles

| ART.CODE  | d1  | d3  | B1  | Z1 | L   | PN   | Verp |
|-----------|-----|-----|-----|----|-----|------|------|
| RRS012074 | 75  | 63  | 102 | 48 | 144 | 12,5 | 5    |
| RRS012088 | 90  | 63  | 108 | 50 | 150 | 12,5 | 4    |
| RRS012089 | 90  | 75  | 108 | 50 | 158 | 12,5 | 4    |
| RRS012107 | 110 | 63  | 115 | 53 | 168 | 12,5 | 3    |
| RRS012108 | 110 | 75  | 115 | 53 | 168 | 12,5 | 3    |
| RRS012109 | 110 | 90  | 115 | 61 | 175 | 12,5 | 3    |
| RRS012156 | 160 | 90  | 131 | 67 | 200 | 12,5 | 1    |
| RRS012157 | 160 | 110 | 131 | 76 | 210 | 12,5 | 1    |
| RRS012195 | 200 | 90  |     |    |     | 10   | 1    |

### Van de Lande BV

Lissenveld 1 \ 4941 VK Raamsdonksveer \ The Netherlands \ t +31 (0)162 51 60 00 \ f +31 (0)162 52 14 17 \ sales@vandelande.com  
 Traderegister Tilburg: 18070844 \ IBAN: NL13 RABO 0143 0035 26 \ BIC: RABONL2U \ VAT: NL 8123.91.755.B01

| <b>ART.CODE</b> | <b>d1</b> | <b>d3</b> | <b>B1</b> | <b>Z1</b> | <b>L</b> | <b>PN</b> | <b>Verp</b> |
|-----------------|-----------|-----------|-----------|-----------|----------|-----------|-------------|
| RRS012196       | 200       | 110       |           |           |          | 10        | 1           |
| RRS012219       | 225       | 90        | 150       | 75        | 240      | 10        | 1           |
| RRS012220       | 225       | 110       | 150       | 75        | 250      | 10        | 1           |
| RRS012223       | 225       | 160       | 150       | 140       | 270      | 10        | 1           |

**Van de Lande BV**

Lissenveld 1 \ 4941 VK Raamsdonksveer \ The Netherlands \ t +31 (0)162 51 60 00 \ f +31 (0)162 52 14 17 \ sales@vandelande.com  
Traderegister Tilburg: 18070844 \ IBAN: NL13 RABO 0143 0035 26 \ BIC: RABONL2U \ VAT: NL 8123.91.755.B01

[www.vandelande.com](http://www.vandelande.com)

All our transactions are subject to the Van de Lande General Terms of Sale. A copy of these can be provided immediately upon your request.