

# 1.13 4d radius courbe 45°

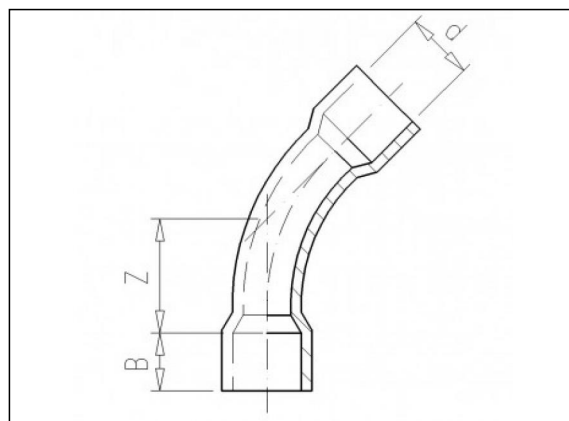
## Informations sur le produit

### Matière

- PVC-U = Polychlorure de vinyle rigide

### Fabrication

- Fabriqué à partir de tube



## Articles disponibles

| ART.CODE | d  | Z   | B     | PN | Verp |
|----------|----|-----|-------|----|------|
| 1.13.063 | 63 | 110 | 38-43 | 10 | 50   |

### Van de Lande BV

Lissenveld 1 \ 4941 VK Raamsdonksveer \ The Netherlands \ t +31 (0)162 51 60 00 \ f +31 (0)162 52 14 17 \ sales@vandelande.com  
Traderegister Tilburg: 18070844 \ IBAN: NL13 RABO 0143 0035 26 \ BIC: RABONL2U \ VAT: NL 8123.91.755.B01

All our transactions are subject to the Van de Lande General Terms of Sale. A copy of these can be provided immediately upon your request.