

3.26 Adaptateur

Informations sur le produit

Caractéristiques

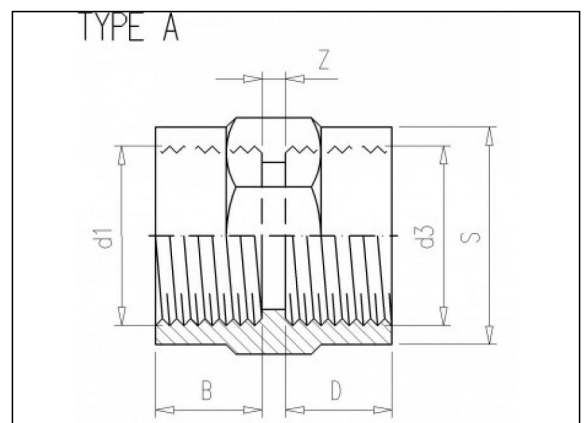
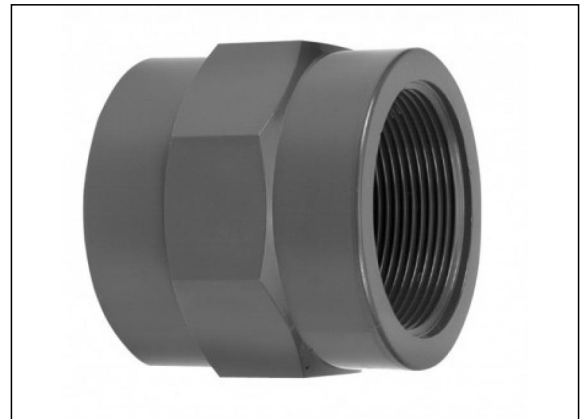
- Filetage femelle BSP
- Renfort INOX

Matière

- PVC-U = Polychlorure de vinyle rigide

Fabrication

- Moulé par injection



Articles disponibles

ART.CODE	d1	d3	Z	B	D	S	Type	PN	Verp
1.25.055	5" (F)	5" (F)	10	38	38	-	D	10	10
1.25.060	6" (F)	6" (F)	12	48	48	-	D	10	10
3.26.010	1/4" (F)	1/4" (F)	2	12	12	24	A	16	100
3.26.012	1/4" (F)	3/8" (F)	5	12	12	27	A	10	100
3.26.013	1/4" (F)	3/8" (F)	5	12	12	27	B	16	50
3.26.015	3/8" (F)	3/8" (F)	5	12	12	27	A	10	100

Van de Lande BV

Lispenveld 1 \ 4941 VK Raamsdonksveer \ The Netherlands \ t +31 (0)162 51 60 00 \ f +31 (0)162 52 14 17 \ sales@vandelande.com
 Traderegister Tilburg: 18070844 \ IBAN: NL13 RABO 0143 0035 26 \ BIC: RABONL2U \ VAT: NL 8123.91.755.B01

ART.CODE	d1	d3	Z	B	D	S	Type	PN	Verp
3.26.016	3/8" (F)	3/8" (F)	5	12	12	27	C	16	50
3.26.017	3/8" (F)	1/2" (F)	6	12	15	32	A	10	100
3.26.018	3/8" (F)	1/2" (F)	6	12	15	32	B	16	50
3.26.019	1/4" (F)	1/2" (F)	6	12	15	32	A	10	50
3.26.019.1	1/4" (F)	1/2" (F)	6	12	15	32	B	16	50
3.26.020	1/2" (F)	1/2" (F)	3	15	15	32	A	10	100
3.26.021	1/2" (F)	1/2" (F)	3	15	15	32	C	16	50
3.26.021.1	3/8" (F)	3/4" (F)	11	12	16	36	A	10	50
3.26.021.2	3/8" (F)	3/4" (F)	11	12	16	36	B	16	50
3.26.022	1/2" (F)	3/4" (F)	8	15	16	36	A	10	100
3.26.023	1/2" (F)	3/4" (F)	8	15	16	36	B	16	50
3.26.025	3/4" (F)	3/4" (F)	7	16	16	36	A	10	100
3.26.026	3/4" (F)	3/4" (F)	7	16	16	36	C	16	50
3.26.027	1/2" (F)	1" (F)	6	15	22	46	A	10	100
3.26.027.1	1/2" (F)	1" (F)	6	15	22	46	C	16	50
3.26.028	3/4" (F)	1" (F)	7	16	22	46	A	10	100
3.26.029	3/4" (F)	1" (F)	7	16	22	46	C	16	75
3.26.030	1" (F)	1" (F)	3	22	22	46	A	10	100
3.26.031	1" (F)	1" (F)	3	22	22	46	C	16	50
3.26.032	3/4" (F)	1 1/4" (F)	9	16	23	55	A	10	150

Van de Lande BV

Lissenveld 1 \ 4941 VK Raamsdonksveer \ The Netherlands \ t +31 (0)162 51 60 00 \ f +31 (0)162 52 14 17 \ sales@vandelande.com
 Traderegister Tilburg: 18070844 \ IBAN: NL13 RABO 0143 0035 26 \ BIC: RABONL2U \ VAT: NL 8123.91.755.B01

www.vandelande.com

All our transactions are subject to the Van de Lande General Terms of Sale. A copy of these can be provided immediately upon your request.

ART.CODE	d1	d3	Z	B	D	S	Type	PN	Verp
3.26.032.1	3/4" (F)	1 1/4" (F)	9	16	23	55	C	16	50
3.26.033	1" (F)	1 1/4" (F)	7	22	23	55	A	10	150
3.26.034	1" (F)	1 1/4" (F)	7	22	23	55	C	16	50
3.26.035	1 1/4" (F)	1 1/4" (F)	6	23	23	55	A	10	100
3.26.036	1 1/4" (F)	1 1/4" (F)	6	23	23	55	C	16	50
3.26.037	1" (F)	1 1/2" (F)	8	22	25	66	A	10	100
3.26.037.1	1" (F)	1 1/2" (F)	8	22	25	66	C	16	75
3.26.038	1 1/4" (F)	1 1/2" (F)	10	23	25	66	A	10	100
3.26.039	1 1/4" (F)	1 1/2" (F)	10	23	25	66	C	16	75
3.26.040	1 1/2" (F)	1 1/2" (F)	10	25	25	66	A	10	100
3.26.041	1 1/2" (F)	1 1/2" (F)	10	25	25	66	C	16	50
3.26.042	1 1/4" (F)	2" (F)	13	23	28	80	A	10	60
3.26.042.1	1 1/4" (F)	2" (F)	13	23	28	80	C	16	50
3.26.043	1 1/2" (F)	2" (F)	12	25	28	80	A	10	50

Van de Lande BV

Lissenveld 1 \ 4941 VK Raamsdonksveer \ The Netherlands \ t +31 (0)162 51 60 00 \ f +31 (0)162 52 14 17 \ sales@vandelande.com
 Traderegister Tilburg: 18070844 \ IBAN: NL13 RABO 0143 0035 26 \ BIC: RABONL2U \ VAT: NL 8123.91.755.B01

www.vandelande.com

All our transactions are subject to the Van de Lande General Terms of Sale. A copy of these can be provided immediately upon your request.

ART.CODE	d1	d3	Z	B	D	S	Type	PN	Verp
3.26.044	1 1/2" (F)	2" (F)	12	25	28	80	C	16	50
3.26.045	2" (F)	2" (F)	12	28	28	80	A	10	25
3.26.046	2" (F)	2" (F)	12	28	28	80	C	16	25
3.26.049	1 1/2" (F)	2 1/2" (F)	18	23	31	94	C	10	25
3.26.050	2" (F)	2 1/2" (F)	19	25	31	94	C	10	25
3.26.051	2 1/2" (F)	2 1/2" (F)	16	31	31	94	C	10	40
3.26.066	3" (F)	3" (F)	18	36	36	114	C	10	25
3.26.071	4" (F)	4" (F)	32	38	38	137	C	10	15

Van de Lande BV

Lissenveld 1 \ 4941 VK Raamsdonksveer \ The Netherlands \ t +31 (0)162 51 60 00 \ f +31 (0)162 52 14 17 \ sales@vandelande.com
 Traderegister Tilburg: 18070844 \ IBAN: NL13 RABO 0143 0035 26 \ BIC: RABONL2U \ VAT: NL 8123.91.755.B01

www.vandelande.com

All our transactions are subject to the Van de Lande General Terms of Sale. A copy of these can be provided immediately upon your request.