

3.45 Bouchon fileté

Informations sur le produit

Caractéristiques

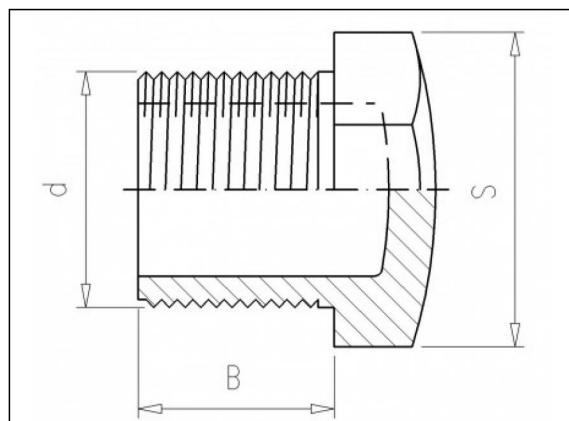
- Filetage mâle BSP

Matière

- PVC-U = Polychlorure de vinyle rigide

Fabrication

- Moulé par injection



Articles disponibles

ART.CODE	d	B	S	PN	Verp
3.45.025	1/4" (M)	13	17	16	100
3.45.030	3/8" (M)	12	22	16	100
3.45.040	1/2" (M)	16	27	16	100
3.45.045	3/4" (M)	17	32	16	100
3.45.050	1" (M)	21	36	16	100

Van de Lande BV

Lissenveld 1 \ 4941 VK Raamsdonksveer \ The Netherlands \ t +31 (0)162 51 60 00 \ f +31 (0)162 52 14 17 \ sales@vandelande.com
Traderegister Tilburg: 18070844 \ IBAN: NL13 RABO 0143 0035 26 \ BIC: RABONL2U \ VAT: NL 8123.91.755.B01

ART.CODE	d	B	S	PN	Verp
3.45.055	1 1/4" (M)	23	46	16	100
3.45.060	1 1/2" (M)	23	55	16	100
3.45.065	2" (M)	27	65	16	100
3.45.070	2 1/2" (M)	31	94	10	25
3.45.075	3" (M)	34	114	10	25
3.45.080	4" (M)	40	138	10	25

Van de Lande BV

Lissenveld 1 \ 4941 VK Raamsdonksveer \ The Netherlands \ t +31 (0)162 51 60 00 \ f +31 (0)162 52 14 17 \ sales@vandelande.com
Traderegister Tilburg: 18070844 \ IBAN: NL13 RABO 0143 0035 26 \ BIC: RABONL2U \ VAT: NL 8123.91.755.B01

www.vandelande.com

All our transactions are subject to the Van de Lande General Terms of Sale. A copy of these can be provided immediately upon your request.