

5.18 Traversée de pario avec union

Informations sur le produit

Caractéristiques

- Filetage mâle BSP droit

Matière

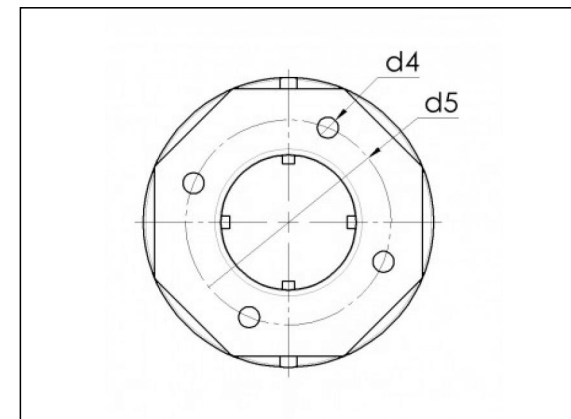
- PVC-U = Polychlorure de vinyle rigide

Joints

- EPDM

Fabrication

- Moulé par injection



Pièces



8.11 Écrou PVC 8.08 Bague PP

Van de Lande BV

Lissenveld 1 \ 4941 VK Raamsdonksveer \ The Netherlands \ t +31 (0)162 51 60 00 \ f +31 (0)162 52 14 17 \ sales@vandelande.com
Traderegister Tilburg: 18070844 \ IBAN: NL13 RABO 0143 0035 26 \ BIC: RABONL2U \ VAT: NL 8123.91.755.B01

All our transactions are subject to the Van de Lande General Terms of Sale. A copy of these can be provided immediately upon your request.

Articles disponibles

ART.CODE	d1	d3	d4	d5	Z1	Z2	B	C	D	E	S1	S2	Verp
5.18.016	16	3/4"	5	29	11	0-19	14	5	47	6	40	32	50
5.18.020	20	1"	5	36	12	0-17	16	5	49	6	50	40	50
5.18.025	25	1 1/4"	5	42	13	0-18	19	5	52	6	55	50	75
5.18.032	32	1 1/2"	5	49	13	0-19	22	5	54	6	64	56	50
5.18.040	40	2"	5	59	13	0-16	26	6	59	6.5	78	69	40
5.18.050	50	2 1/4"	5	70	15	0-16	31	6	61	6.5	85	76	40
5.18.063	63	2 3/4"	5	84	15	0-19	38	6	69	6.5	100	95	25

Van de Lande BV

Lissenveld 1 \ 4941 VK Raamsdonksveer \ The Netherlands \ t +31 (0)162 51 60 00 \ f +31 (0)162 52 14 17 \ sales@vandelande.com

Traderegister Tilburg: 18070844 \ IBAN: NL13 RABO 0143 0035 26 \ BIC: RABONL2U \ VAT: NL 8123.91.755.B01

All our transactions are subject to the Van de Lande General Terms of Sale. A copy of these can be provided immediately upon your request.