

# 6.78 Vanne à papillon avec kit bleu

## Informations sur le produit

### Matière

- PVC-U = Polychlorure de vinyle rigide

### Joints

- EPDM

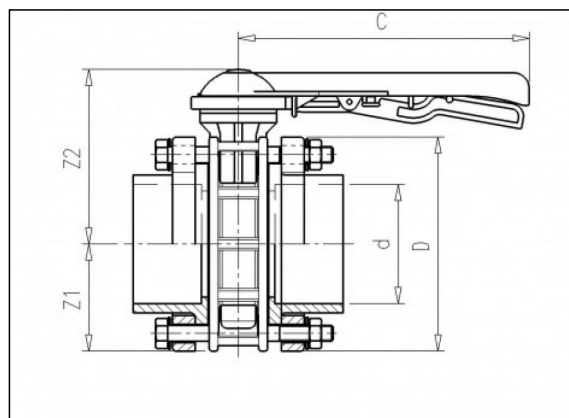
### Fabrication

- Moulé par injection

## Pièces



6.76 Kit pour vanne à papillon



## Articles disponibles

| ART.CODE | d   | DN  | Z   | Z1    | Z2  | B  | C   | Qty |
|----------|-----|-----|-----|-------|-----|----|-----|-----|
| 6.78.064 | 63  | 65  | 77  | 92.5  | 174 | 38 | 270 | 2   |
| 6.78.076 | 75  | 65  | 59  | 92.5  | 174 | 44 | 270 | 2   |
| 6.78.091 | 90  | 80  | 66  | 100   | 181 | 51 | 270 | 2   |
| 6.78.111 | 110 | 80  | 79  | 110   | 192 | 61 | 270 | 1   |
| 6.78.126 | 125 | 125 | 113 | 125   | 203 | 69 | 340 | 1   |
| 6.78.141 | 140 | 125 | 81  | 125   | 203 | 76 | 340 | 1   |
| 6.78.161 | 160 | 150 | 88  | 142.5 | 221 | 86 | 340 | 1   |

### Van de Lande BV

Lissenveld 1 \ 4941 VK Raamsdonksveer \ The Netherlands \ t +31 (0)162 51 60 00 \ f +31 (0)162 52 14 17 \ sales@vandelande.com  
 Traderegister Tilburg: 18070844 \ IBAN: NL13 RABO 0143 0035 26 \ BIC: RABONL2U \ VAT: NL 8123.91.755.B01

| ART.CODE | d   | DN  | Z   | Z1  | Z2  | B   | C   | Qty |
|----------|-----|-----|-----|-----|-----|-----|-----|-----|
| 6.78.201 | 200 | 200 | 149 | 170 | 289 | 106 | 420 | 1   |
| 6.78.226 | 225 | 200 | 95  | 170 | 289 | 119 | 420 | 1   |

**Van de Lande BV**

Lissenveld 1 \ 4941 VK Raamsdonksveer \ The Netherlands \ t +31 (0)162 51 60 00 \ f +31 (0)162 52 14 17 \ sales@vandelande.com  
Traderegister Tilburg: 18070844 \ IBAN: NL13 RABO 0143 0035 26 \ BIC: RABONL2U \ VAT: NL 8123.91.755.B01

All our transactions are subject to the Van de Lande General Terms of Sale. A copy of these can be provided immediately upon your request.