

6.79 Vanne à papillon prolongé avec kit bleu

Informations sur le produit

Caractéristiques

- INOX

Matière

- PVC-U = Polychlorure de vinyle rigide

Joint

- EPDM

Fabrication

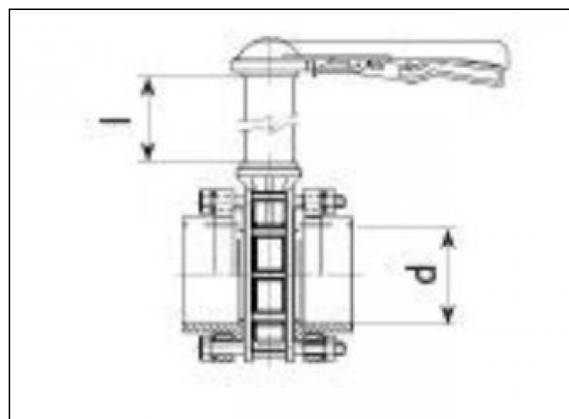
- Moulé par injection



Pièces



6.76 Kit pour vanne à papillon



Articles disponibles

ART.CODE	d	L
6.79.064.2	63	1000
6.79.064.3	63	1500
6.79.076.2	75	1000
6.79.076.3	75	1500
6.79.091.2	90	1000
6.79.091.3	90	1500
6.79.111.2	110	1000

Van de Lande BV

Lissenveld 1 \ 4941 VK Raamsdonksveer \ The Netherlands \ t +31 (0)162 51 60 00 \ f +31 (0)162 52 14 17 \ sales@vandelande.com
Traderegister Tilburg: 18070844 \ IBAN: NL13 RABO 0143 0035 26 \ BIC: RABONL2U \ VAT: NL 8123.91.755.B01

All our transactions are subject to the Van de Lande General Terms of Sale. A copy of these can be provided immediately upon your request.

ART.CODE	d	L
6.79.111.3	110	1500
6.79.126.2	125	1000
6.79.126.3	125	1500
6.79.141.2	140	1000
6.79.141.3	140	1500
6.79.161.2	160	1000
6.79.161.3	160	1500
6.79.201.2	200	1000
6.79.201.3	200	1500
6.79.226.2	225	1000
6.79.226.3	225	1500

Van de Lande BV

Lissenveld 1 \ 4941 VK Raamsdonksveer \ The Netherlands \ t +31 (0)162 51 60 00 \ f +31 (0)162 52 14 17 \ sales@vandelande.com
Traderegister Tilburg: 18070844 \ IBAN: NL13 RABO 0143 0035 26 \ BIC: RABONL2U \ VAT: NL 8123.91.755.B01

All our transactions are subject to the Van de Lande General Terms of Sale. A copy of these can be provided immediately upon your request.