

## 6.80 Vanne à Guillotine MES

### Informations sur le produit

#### Caractéristiques

- INOX

#### Matière

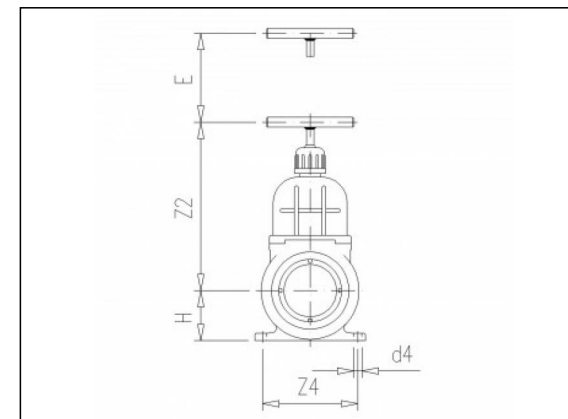
- PVC-U = Polychlorure de vinyle rigide

#### Joints

- EPDM

#### Fabrication

- Moulé par injection



#### Van de Lande BV

Lissenveld 1 \ 4941 VK Raamsdonksveer \ The Netherlands \ t +31 (0)162 51 60 00 \ f +31 (0)162 52 14 17 \ sales@vandelande.com

Traderegister Tilburg: 18070844 \ IBAN: NL13 RABO 0143 0035 26 \ BIC: RABONL2U \ VAT: NL 8123.91.755.B01

All our transactions are subject to the Van de Lande General Terms of Sale. A copy of these can be provided immediately upon your request.

**Articles disponibles**

<b>ART.CODE</b>	<b>d1</b>	<b>d2</b>	<b>d4</b>	<b>Z1</b>	<b>Z2</b>	<b>Z4</b>	<b>B</b>	<b>E</b>	<b>H</b>	<b>P max</b>	<b>DN</b>	<b>Verp</b>
6.80.111	110	92	9	54	290	158	61	107	81	0.5	100	4
6.80.161	160	150	11	55	388	240	86	165	108	0.5	150	2
6.80.201	200	192	13	48	450	275	107	200	128	0.5	200	1

**Van de Lande BV**

Lissenveld 1 \ 4941 VK Raamsdonksveer \ The Netherlands \ t +31 (0)162 51 60 00 \ f +31 (0)162 52 14 17 \ sales@vandelande.com

Traderegister Tilburg: 18070844 \ IBAN: NL13 RABO 0143 0035 26 \ BIC: RABONL2U \ VAT: NL 8123.91.755.B01

All our transactions are subject to the Van de Lande General Terms of Sale. A copy of these can be provided immediately upon your request.