

6.85 Vanne coulissante

Informations sur le produit

Caractéristiques

- Filetage mâle BSP
- INOX

Matière

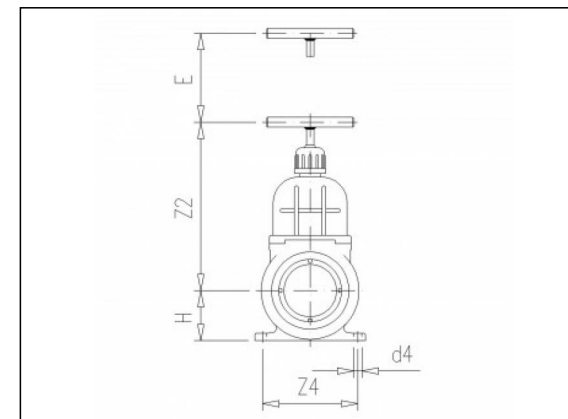
- PVC-U = Polychlorure de vinyle rigide

Joint

- EPDM

Fabrication

- Moulé par injection



Pièces



6.45 Jeu de rechangé

Van de Lande BV

Lissenveld 1 \ 4941 VK Raamsdonksveer \ The Netherlands \ t +31 (0)162 51 60 00 \ f +31 (0)162 52 14 17 \ sales@vandelande.com

Traderegister Tilburg: 18070844 \ IBAN: NL13 RABO 0143 0035 26 \ BIC: RABONL2U \ VAT: NL 8123.91.755.B01

All our transactions are subject to the Van de Lande General Terms of Sale. A copy of these can be provided immediately upon your request.

Articles disponibles

ART.CODE	d1	d2	d3	d4	Z1	Z2	Z4	B	C	D	E	H	P max	DN	Verp
6.85.050	50	42	2 (M)	7	34	139	76	31	92	27	52	40	3	40	25
6.85.063	63	54	2 1/2(M)	9	44	164	98	38	113	31	65	51.5	2	50	12
6.85.075	75	64	3 (M)	9	49	187	112	44	127	34	73	57.5	1.5	65	8

Van de Lande BV

Lissenveld 1 \ 4941 VK Raamsdonksveer \ The Netherlands \ t +31 (0)162 51 60 00 \ f +31 (0)162 52 14 17 \ sales@vandelande.com

Traderegister Tilburg: 18070844 \ IBAN: NL13 RABO 0143 0035 26 \ BIC: RABONL2U \ VAT: NL 8123.91.755.B01

All our transactions are subject to the Van de Lande General Terms of Sale. A copy of these can be provided immediately upon your request.