

# 6.90 Vanne à Guillotine

## Informations sur le produit

### Caractéristiques

- Filetage mâle BSP droit
- INOX

### Matière

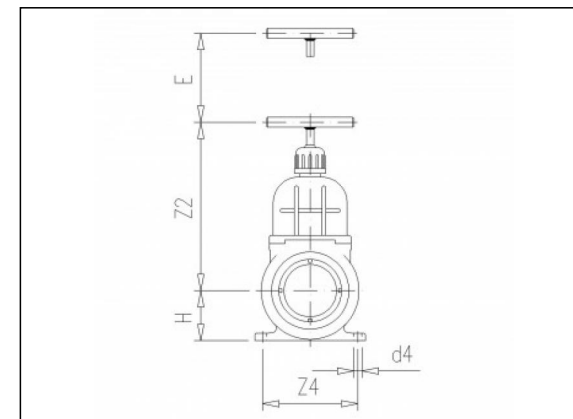
- PVC-U = Polychlorure de vinyle rigide

### Joint

- EPDM

### Fabrication

- Moulé par injection



## Pièces



6.45 Jeu de rechargé

### Van de Lande BV

Lissenveld 1 \ 4941 VK Raamsdonksveer \ The Netherlands \ t +31 (0)162 51 60 00 \ f +31 (0)162 52 14 17 \ sales@vandelande.com

Traderegister Tilburg: 18070844 \ IBAN: NL13 RABO 0143 0035 26 \ BIC: RABONL2U \ VAT: NL 8123.91.755.B01

All our transactions are subject to the Van de Lande General Terms of Sale. A copy of these can be provided immediately upon your request.

**Articles disponibles**

ART.CODE	d1	d2	d3	d4	Z1	Z2	Z3	Z4	B	C	D	E	S	H	P max	DN	Verp
6.90.050	50	42	2 (M)	7	34	139	0-21	76	31	117	52	52	69	40	3	40	25
6.90.063	63	54	2 1/2 (M)	9	44	164	0-23	98	38	134	52	65	85	51.5	2	50	12
6.90.075	75	64	3 (M)	9	49	187	0-20	112	44	148	55	73	100	57.5	1.5	65	8
6.90.090	90	76	M113 (M)	9	55	218	0-20	138	51	167	61	91	127	71	1	80	6
6.90.110	110	92	M133 (M)	9	65	250	0-22	158	61	192	66	108	147	81	1	100	4

**Van de Lande BV**

Lissenveld 1 \ 4941 VK Raamsdonksveer \ The Netherlands \ t +31 (0)162 51 60 00 \ f +31 (0)162 52 14 17 \ sales@vandelande.com  
 Traderegister Tilburg: 18070844 \ IBAN: NL13 RABO 0143 0035 26 \ BIC: RABONL2U \ VAT: NL 8123.91.755.B01

All our transactions are subject to the Van de Lande General Terms of Sale. A copy of these can be provided immediately upon your request.