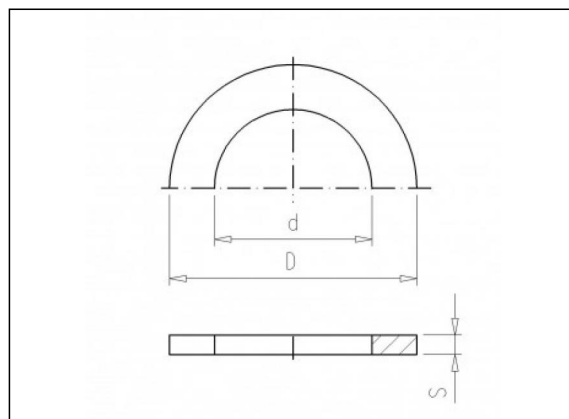
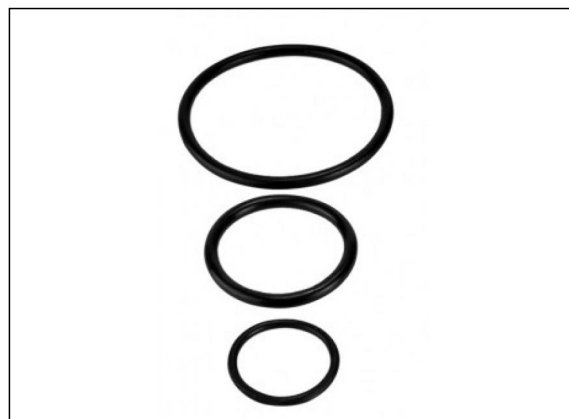


8.03 Joint caoutchouc pour embout

Informations sur le produit

Joints

- EPDM



Articles disponibles

ART.CODE	Dia	d	D	S	Verp
8.03.016	16	11	23	2	1000
8.03.020	20	15	29	2	1000
8.03.025	25	19	37	2	500
8.03.032	32	24	43	3	500
8.03.040	40	32	55	3	250
8.03.050	50	40	61	3	200
8.03.063	63	50	77	3	150

Van de Lande BV

Lissenveld 1 \ 4941 VK Raamsdonksveer \ The Netherlands \ t +31 (0)162 51 60 00 \ f +31 (0)162 52 14 17 \ sales@vandelande.com
Traderegister Tilburg: 18070844 \ IBAN: NL13 RABO 0143 0035 26 \ BIC: RABONL2U \ VAT: NL 8123.91.755.B01

ART.CODE Dia d D S Verp

Van de Lande BV

Lissenveld 1 \ 4941 VK Raamsdonksveer \ The Netherlands \ t +31 (0)162 51 60 00 \ f +31 (0)162 52 14 17 \ sales@vandelande.com
Traderegister Tilburg: 18070844 \ IBAN: NL13 RABO 0143 0035 26 \ BIC: RABONL2U \ VAT: NL 8123.91.755.B01

All our transactions are subject to the Van de Lande General Terms of Sale. A copy of these can be provided immediately upon your request.