

# 2.04 TE 90°

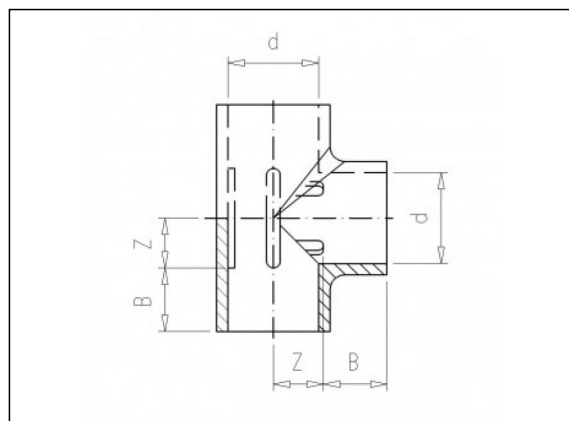
## Informations sur le produit

**Matière**

- PVC-U = Polychlorure de vinyle rigide

**Fabrication**

- Moulé par injection



## Articles disponibles

ART.CODE	d	Z	B	PN	Verp
2.01.075	2 1/2	40	44	16	24
2.01.140	5	73	76	16	3
2.04.020	1/2	12	17	16	140
2.04.025	3/4	14.5	20	16	250
2.04.032	1	18.5	23	16	200
2.04.040	1 1/4	23	28	16	100
2.04.050	1 1/2	29	30	16	75
2.04.063	2	21	36	16	38
2.04.090	3	49	51	16	14

**Van de Lande BV**

Lissenveld 1 \ 4941 VK Raamsdonksveer \ The Netherlands \ t +31 (0)162 51 60 00 \ f +31 (0)162 52 14 17 \ sales@vandelande.com  
Traderegister Tilburg: 18070844 \ IBAN: NL13 RABO 0143 0035 26 \ BIC: RABONL2U \ VAT: NL 8123.91.755.B01

ART.CODE	d	Z	B	PN	Verp
2.04.110	4	61	63	16	7
2.04.160	6	90	91	16	1

**Van de Lande BV**

Lissenveld 1 \ 4941 VK Raamsdonksveer \ The Netherlands \ t +31 (0)162 51 60 00 \ f +31 (0)162 52 14 17 \ sales@vandelande.com  
Traderegister Tilburg: 18070844 \ IBAN: NL13 RABO 0143 0035 26 \ BIC: RABONL2U \ VAT: NL 8123.91.755.B01

All our transactions are subject to the Van de Lande General Terms of Sale. A copy of these can be provided immediately upon your request.