

3.66 Raccord union

Informations sur le produit

Caractéristiques

- Filetage femelle BSP
- INOX

Matière

- PVC-U = Polychlorure de vinyle rigide

Joints

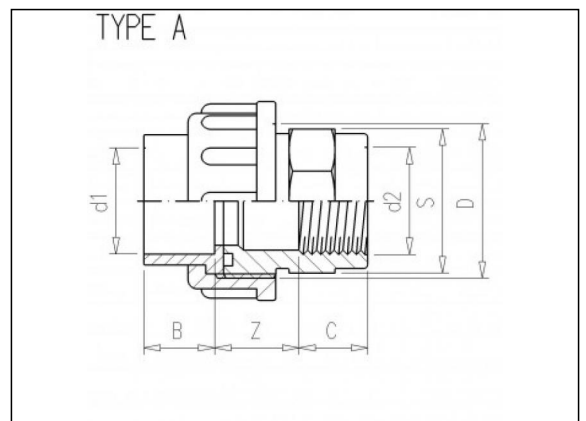
- EPDM

Fabrication

- Moulé par injection



Pièces



Articles disponibles

ART.CODE	d1	d2	Z	B	C	D	S	Type	PN	Verp
3.65.075	2 1/2	2 1/2" (F)	41	44	30	ZGTD	94	B	10	10
3.66.020	1/2	1/2" (F)	24	17	16	1"	30	A	10	100
3.66.021	1/2	1/2" (F)	24	17	16	1"	30	B	16	100
3.66.025	3/4	3/4" (F)	24	20	17	1 1/4"	36	A	10	60
3.66.026	3/4	3/4" (F)	24	20	17	1 1/4"	36	B	16	60

Van de Lande BV

Lissenveld 1 \ 4941 VK Raamsdonksveer \ The Netherlands \ t +31 (0)162 51 60 00 \ f +31 (0)162 52 14 17 \ sales@vandelande.com
 Traderegister Tilburg: 18070844 \ IBAN: NL13 RABO 0143 0035 26 \ BIC: RABONL2U \ VAT: NL 8123.91.755.B01

ART.CODE	d1	d2	Z	B	C	D	S	Type	PN	Verp
3.66.032	1	1" (F)	24	23	21	1 1/2"	44	A	10	100
3.66.033	1	1" (F)	24	23	21	1 1/2"	44	B	16	100
3.66.040	1 1/4	1 1/4" (F)	24	28	23	2"	54	A	10	80
3.66.041	1 1/4"	1 1/4" (F)	24	28	23	2"	54	B	16	80
3.66.050	1 1/2	1 1/2" (F)	32	30	23	2 1/4"	64	A	10	60
3.66.051	1 1/2	1 1/2" (F)	32	30	23	2 1/4"	64	B	16	60
3.66.063	2	2" (F)	33	36	27	2 3/4"	80	A	10	50
3.66.064	2	2" (F)	33	36	27	2 3/4"	80	B	16	50
3.66.090	3	3" (F)	51	63	39	ZGTD	114	B	10	10
3.66.110	4	4" (F)	56	64	41	ZGTD	138	B	10	10

Van de Lande BV

Lissenveld 1 \ 4941 VK Raamsdonksveer \ The Netherlands \ t +31 (0)162 51 60 00 \ f +31 (0)162 52 14 17 \ sales@vandelande.com
 Traderegister Tilburg: 18070844 \ IBAN: NL13 RABO 0143 0035 26 \ BIC: RABONL2U \ VAT: NL 8123.91.755.B01

www.vandelande.com

All our transactions are subject to the Van de Lande General Terms of Sale. A copy of these can be provided immediately upon your request.