

# 3.94 Manchon de transition

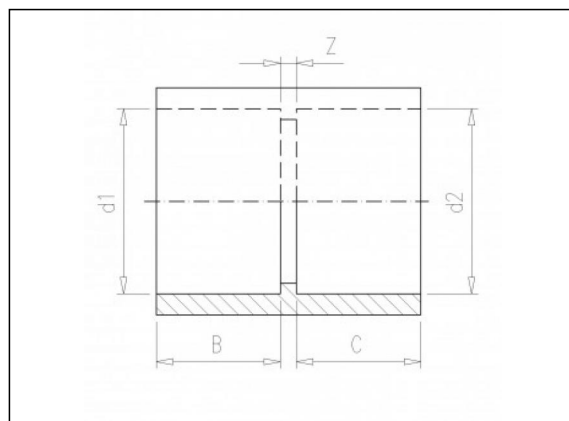
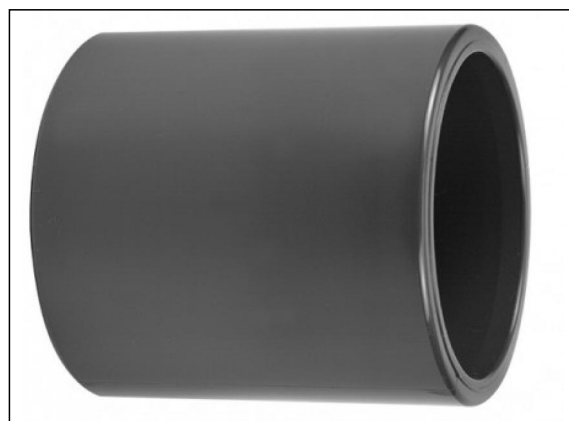
## Informations sur le produit

### Matière

- PVC-U = Polychlorure de vinyle rigide

### Fabrication

- Moulé par injection



## Articles disponibles

ART.CODE	d1	d2	Z	B	C	PN	Verp
3.90.075	75	2 1/2	4	44	44	16	65
3.90.140	140	5	8	76	76	16	10
3.94.020	20	1/2	4	16	17	16	300
3.94.025	25	3/4	4	19	20	16	200
3.94.032	32	1	4	22	23	16	300
3.94.040	40	1 1/4	3	26	28	16	200
3.94.050	50	1 1/2	5	31	30	16	200
3.94.063	63	2	6	38	36	16	100
3.94.090	90	3	5	51	51	16	36

### Van de Lande BV

Lissenveld 1 \ 4941 VK Raamsdonksveer \ The Netherlands \ t +31 (0)162 51 60 00 \ f +31 (0)162 52 14 17 \ sales@vandelande.com  
 Traderegister Tilburg: 18070844 \ IBAN: NL13 RABO 0143 0035 26 \ BIC: RABONL2U \ VAT: NL 8123.91.755.B01

ART.CODE	d1	d2	Z	B	C	PN	Verp
3.94.110	110	4	7	61	63	16	15

**Van de Lande BV**

Lissenveld 1 \ 4941 VK Raamsdonksveer \ The Netherlands \ t +31 (0)162 51 60 00 \ f +31 (0)162 52 14 17 \ sales@vandelande.com  
Traderegister Tilburg: 18070844 \ IBAN: NL13 RABO 0143 0035 26 \ BIC: RABONL2U \ VAT: NL 8123.91.755.B01

All our transactions are subject to the Van de Lande General Terms of Sale. A copy of these can be provided immediately upon your request.