

4.31 T-dop sproeier

Productinformatie

Eigenschappen

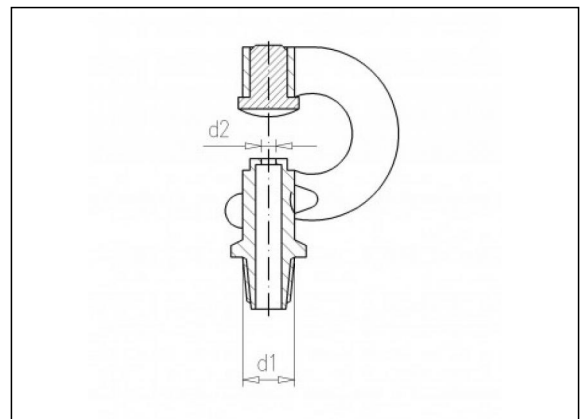
- Buitengasdraad

Materiaal

- PA6

Vervaardiging

- spuitgiet



Beschikbare artikelen

ART.CODE	Description	d1	d2	Verp
4.31.111	brown/red/brown/rood/braun/rot/bruun/rojo	M11	1.75	1000 (4x250)

Van de Lande BV

Lissenveld 1 \ 4941 VK Raamsdonksveer \ The Netherlands \ t +31 (0)162 51 60 00 \ f +31 (0)162 52 14 17 \ sales@vandelande.com
 Traderegister Tilburg: 18070844 \ IBAN: NL13 RABO 0143 0035 26 \ BIC: RABONL2U \ VAT: NL 8123.91.755.B01

ART.CODE	Descr iption	d1	d2	Verp
4.31.112	green red/g roenr ood/g rünro t/vert rouge /verd e rojo	M11	2	1000 (4x25 0)
4.31.113	greyr ed/gri jsroo d/gra urot/ grisro uge/g ris rojo	M11	2.25	1000 (4x25 0)
4.31.114	bluer ed/bl auwr ood/b laurot /bleu rouge /azul rojo	M11	2.5	1000 (4x25 0)
4.31.381	brow nred/ bruin rood/ braun rot/br unrou ge/m arrón rojo	WW3 /8"	1.75	1000 (4x25 0)
4.31.382	green red/g roenr ood/g rünro t/vert rouge /verd e rojo	WW3 /8"	2	1000 (4x25 0)

Van de Lande BV

Lissenveld 1 \ 4941 VK Raamsdonksveer \ The Netherlands \ t +31 (0)162 51 60 00 \ f +31 (0)162 52 14 17 \ sales@vandelande.com
 Traderegister Tilburg: 18070844 \ IBAN: NL13 RABO 0143 0035 26 \ BIC: RABONL2U \ VAT: NL 8123.91.755.B01

www.vandelande.com

ART.CODE	Description	d1	d2	Verp
4.31.383	grey ed/gri jsroo d/gra urot/ grisro uge/g ris rojo	WW3 /8"	2.25	1000 (4x25 0)
4.31.384	bluer ed/bl auwr ood/b laurot /bleu rouge /azul rojo	WW3 /8"	2.5	1000 (4x25 0)

Van de Lande BV

Lissenveld 1 \ 4941 VK Raamsdonksveer \ The Netherlands \ t +31 (0)162 51 60 00 \ f +31 (0)162 52 14 17 \ sales@vandelande.com
Traderegister Tilburg: 18070844 \ IBAN: NL13 RABO 0143 0035 26 \ BIC: RABONL2U \ VAT: NL 8123.91.755.B01

All our transactions are subject to the Van de Lande General Terms of Sale. A copy of these can be provided immediately upon your request.