

# 7.14 PE T-stuk

## Productinformatie

### Eigenschappen

- Binnengasdraad

### Materiaal

- PP = Polypropyleen

### Afdichting

- EPDM

### Vervaardiging

- Spuitgiet



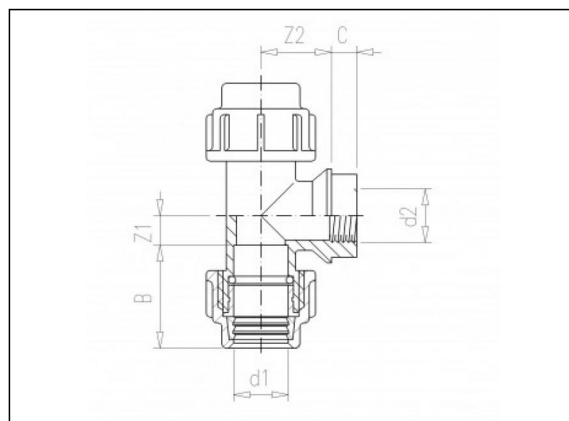
## Onderdelen



8.06 O-ring

7.42 PE wartelmoer

7.44 Snijring



## Beschikbare artikelen

ART.CODE	d1	d2	Z1	Z2	B	C	PN	Verp
7.14.016	16	3/8" (F)	10	23	42	11	10	100
7.14.017	16	1/2" (F)	10	24	42	13	10	100
7.14.020	20	1/2" (F)	12	28	47	16	10	100
7.14.021	20	3/4" (F)	12	30	47	17	10	100
7.14.024	25	1/2" (F)	14	30	51	16	10	75

### Van de Lande BV

Lissenveld 1 \ 4941 VK Raamsdonksveer \ The Netherlands \ t +31 (0)162 51 60 00 \ f +31 (0)162 52 14 17 \ sales@vandelande.com  
 Traderegister Tilburg: 18070844 \ IBAN: NL13 RABO 0143 0035 26 \ BIC: RABONL2U \ VAT: NL 8123.91.755.B01

ART.CODE	d1	d2	Z1	Z2	B	C	PN	Verp
7.14.025	25	3/4" (F)	14	30	51	17	10	75
7.14.026	25	1" (F)	14	32	51	21	10	75
7.14.032	32	1" (F)	18	40	57	21	10	50
7.14.033	32	1 1/4" (F)	18	37	57	23	10	50
7.14.040	40	1 1/4" (F)	21	35	62	23	10	40

**Van de Lande BV**

Lissenveld 1 \ 4941 VK Raamsdonksveer \ The Netherlands \ t +31 (0)162 51 60 00 \ f +31 (0)162 52 14 17 \ sales@vandelande.com  
Traderegister Tilburg: 18070844 \ IBAN: NL13 RABO 0143 0035 26 \ BIC: RABONL2U \ VAT: NL 8123.91.755.B01

[www.vandelande.com](http://www.vandelande.com)

All our transactions are subject to the Van de Lande General Terms of Sale. A copy of these can be provided immediately upon your request.