

7.15 PE T-stuk

Productinformatie

Eigenschappen

- Binnengasdraad
- RVS Versterkingsring

Materiaal

- PP = Polypropyleen

Afdichting

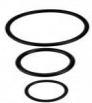
- EPDM

Vervaardiging

- Spuitgiet



Onderdelen



8.06 O-ring



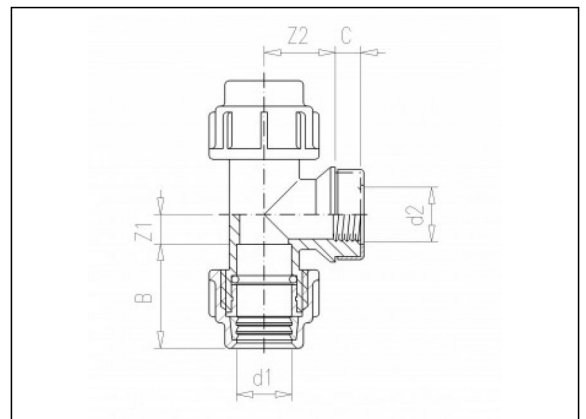
7.42 PE wartelmoer



7.44 Snijring



8.12 RVS versterkingsring



Beschikbare artikelen

ART.CODE	d1	d2	Z1	Z2	B	C	PN	Verp
7.14.050	50	1 1/2" (F)	28	45	98	26	16	10
7.14.051	50	2" (F)	28	58	98	31	16	10
7.14.062	63	1 1/2" (F)	38	60	110	26	16	6
7.14.063	63	2" (F)	41	59	110	31	16	6
7.14.074	75	2" (F)	38	70	124	31	10	4

Van de Lande BV

Lissenveld 1 \ 4941 VK Raamsdonksveer \ The Netherlands \ t +31 (0)162 51 60 00 \ f +31 (0)162 52 14 17 \ sales@vandelande.com
 Traderegister Tilburg: 18070844 \ IBAN: NL13 RABO 0143 0035 26 \ BIC: RABONL2U \ VAT: NL 8123.91.755.B01

ART.CODE	d1	d2	Z1	Z2	B	C	PN	Verp
7.14.075	75	2 1/2" (F)	38	71	124	31	10	4
7.14.076	75	3" (F)	38	76	124	34	10	4
7.15.016*	16	3/8" (F)	10	24	42	11	16	100
7.15.017*	16	1/2" (F)	10	25	42	13	16	100
7.15.020*	20	1/2" (F)	12	28	47	16	16	100
7.15.021*	20	3/4" (F)	12	31	47	17	16	100
7.15.024*	25	1/2" (F)	14	31	51	16	16	75
7.15.025*	25	3/4" (F)	14	31	51	17	16	75
7.15.026*	25	1" (F)	14	33	51	21	16	75
7.15.032*	32	1" (F)	18	40	57	21	16	50
7.15.033*	32	1 1/4" (F)	18	37	57	23	16	50
7.15.040*	40	1 1/4" (F)	21	36	62	23	16	40
7.15.041*	40	1 1/2" (F)	21	44	62	23	16	40

Van de Lande BV

Lispenveld 1 \ 4941 VK Raamsdonksveer \ The Netherlands \ t +31 (0)162 51 60 00 \ f +31 (0)162 52 14 17 \ sales@vandelande.com
 Traderegister Tilburg: 18070844 \ IBAN: NL13 RABO 0143 0035 26 \ BIC: RABONL2U \ VAT: NL 8123.91.755.B01

www.vandelande.com

All our transactions are subject to the Van de Lande General Terms of Sale. A copy of these can be provided immediately upon your request.