

# 7.33 PE eindset

## Productinformatie

### Eigenschappen

- Met rubberring

### Materiaal

- PVC-U (Polyvinylchloride zonder weekmaker) en PE (Polyethyleen)

### Afdichting

- EPDM

### Vervaardiging

- Spuitgiet



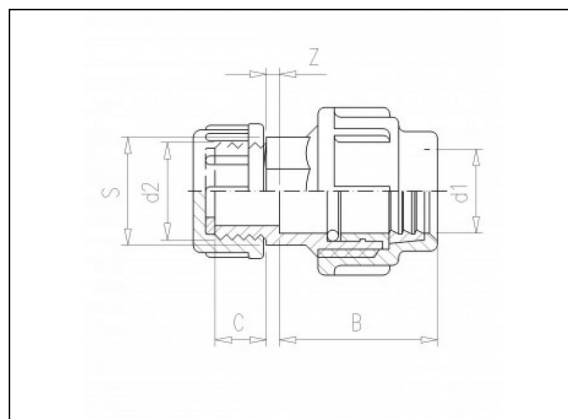
## Onderdelen



8.06 O-ring

7.42 PE wartelmoer

7.44 Snijring



## Beschikbare artikelen

| ART.CODE | d1 | d2     | Z  | B   | C  | S  | PN | Verp |
|----------|----|--------|----|-----|----|----|----|------|
| 7.33.016 | 16 | 1/2"   | 4  | 42  | 17 | 24 | 10 | 250  |
| 7.33.020 | 20 | 3/4"   | 4  | 47  | 18 | 27 | 10 | 250  |
| 7.33.025 | 25 | 3/4"   | 4  | 51  | 17 | 33 | 10 | 175  |
| 7.33.032 | 32 | 1"     | 5  | 57  | 21 | 42 | 10 | 125  |
| 7.33.040 | 40 | 1 1/4" | 6  | 62  | 23 | 51 | 10 | 100  |
| 7.33.050 | 50 | 1 1/2" | 12 | 98  | 26 | -  | 10 | 24   |
| 7.33.063 | 63 | 2"     | 11 | 110 | 25 | -  | 10 | 18   |

### Van de Lande BV

Lissenveld 1 \ 4941 VK Raamsdonksveer \ The Netherlands \ t +31 (0)162 51 60 00 \ f +31 (0)162 52 14 17 \ sales@vandelande.com  
 Traderegister Tilburg: 18070844 \ IBAN: NL13 RABO 0143 0035 26 \ BIC: RABONL2U \ VAT: NL 8123.91.755.B01

| ART.CODE | d1  | d2        | Z  | B   | C  | S | PN | Verp |
|----------|-----|-----------|----|-----|----|---|----|------|
| 7.33.075 | 75  | 2<br>1/2" | 8  | 124 | 34 | - | 10 | 13   |
| 7.33.090 | 90  | 3"        | 13 | 180 | 37 | - | 10 | 5    |
| 7.33.110 | 110 | 4"        | 8  | 220 | 40 | - | 6  | 2    |

**Van de Lande BV**

Lissenveld 1 \ 4941 VK Raamsdonksveer \ The Netherlands \ t +31 (0)162 51 60 00 \ f +31 (0)162 52 14 17 \ sales@vandelande.com  
Traderegister Tilburg: 18070844 \ IBAN: NL13 RABO 0143 0035 26 \ BIC: RABONL2U \ VAT: NL 8123.91.755.B01

[www.vandelande.com](http://www.vandelande.com)

All our transactions are subject to the Van de Lande General Terms of Sale. A copy of these can be provided immediately upon your request.