

# 7.36 PE koppeling

## Productinformatie

### Eigenschappen

- Met rubberring

### Materiaal

- PP = Polypropyleen

### Afdichting

- EPDM

### Vervaardiging

- Spuitgiet



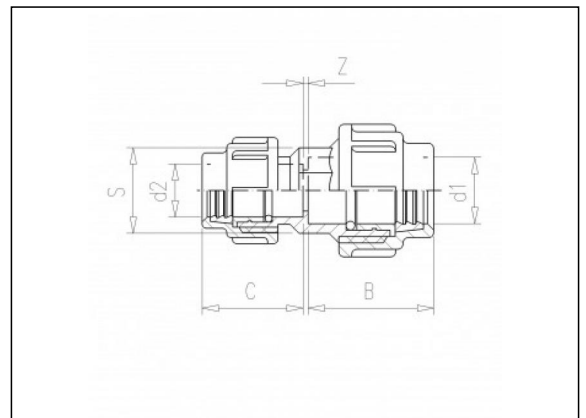
## Onderdelen



8.06 O-ring

7.42 PE  
wartelmoer

7.44 Snijring



## Beschikbare artikelen

ART.CODE	d1	d2	Z	B	C	S	PN	Verp
7.36.020*	20	16	3	47	42	24	16	100
7.36.024*	25	16	3	51	42	24	16	100
7.36.025*	25	20	3	51	47	33	16	100
7.36.032*	32	25	3	57	51	42	16	50
7.36.040*	40	32	5	62	57	51	16	50
7.36.048	50	25	2	98	58	-	16	16
7.36.049	50	32	2	98	64	-	16	16
7.36.050	50	40	6	98	72	-	16	16
7.36.061	63	32	6	110	64	-	16	8

### Van de Lande BV

Lissenveld 1 \ 4941 VK Raamsdonksveer \ The Netherlands \ t +31 (0)162 51 60 00 \ f +31 (0)162 52 14 17 \ sales@vandelande.com  
 Traderegister Tilburg: 18070844 \ IBAN: NL13 RABO 0143 0035 26 \ BIC: RABONL2U \ VAT: NL 8123.91.755.B01

ART.CODE	d1	d2	Z	B	C	S	PN	Verp
7.36.062	63	40	6	110	72	-	16	8
7.36.063	63	50	6	110	89	-	16	8
7.36.072	75	32	2	124	69	-	10	6
7.36.073	75	40	6	124	75	-	16	6
7.36.074	75	50	6	124	89	-	10	6
7.36.075	75	63	2	124	98	-	10	6

**Van de Lande BV**

Lissenveld 1 \ 4941 VK Raamsdonksveer \ The Netherlands \ t +31 (0)162 51 60 00 \ f +31 (0)162 52 14 17 \ sales@vandelande.com  
Traderegister Tilburg: 18070844 \ IBAN: NL13 RABO 0143 0035 26 \ BIC: RABONL2U \ VAT: NL 8123.91.755.B01

All our transactions are subject to the Van de Lande General Terms of Sale. A copy of these can be provided immediately upon your request.