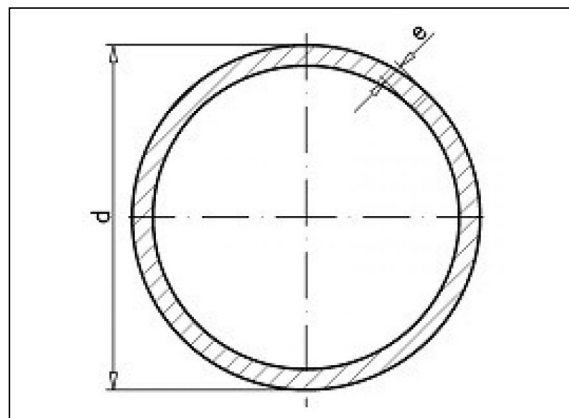


PVC-C Buis

Productinformatie

Materiaal

- PVC-C = Polyvinylchloride post chlorinated



Beschikbare artikelen

ART.CODE	d	E	PN	SDR	Verp
7095002001	20	1.5	16	13.6	5 m
7095002501	25	1.9	16	13.6	5 m
7095003201	32	2.4	16	13.6	5 m
7095004001	40	3	16	13.6	5 m
7095005001	50	3.7	16	13.6	5 m
7095006301	63	4.7	16	13.6	5 m
7095007501	75	5.6	16	13.6	5 m
7095009001	90	6.7	16	13.6	5 m

Van de Lande BV

Lissenveld 1 \ 4941 VK Raamsdonksveer \ The Netherlands \ t +31 (0)162 51 60 00 \ f +31 (0)162 52 14 17 \ sales@vandelande.com
Traderegister Tilburg: 18070844 \ IBAN: NL13 RABO 0143 0035 26 \ BIC: RABONL2U \ VAT: NL 8123.91.755.B01

ART.CODE	d	E	PN	SDR	Verp
7095011001	110	8.1	16	13.6	5 m

Van de Lande BV

Lissenveld 1 \ 4941 VK Raamsdonksveer \ The Netherlands \ t +31 (0)162 51 60 00 \ f +31 (0)162 52 14 17 \ sales@vandelande.com
Traderegister Tilburg: 18070844 \ IBAN: NL13 RABO 0143 0035 26 \ BIC: RABONL2U \ VAT: NL 8123.91.755.B01

All our transactions are subject to the Van de Lande General Terms of Sale. A copy of these can be provided immediately upon your request.