

PVC-C Lijmkap

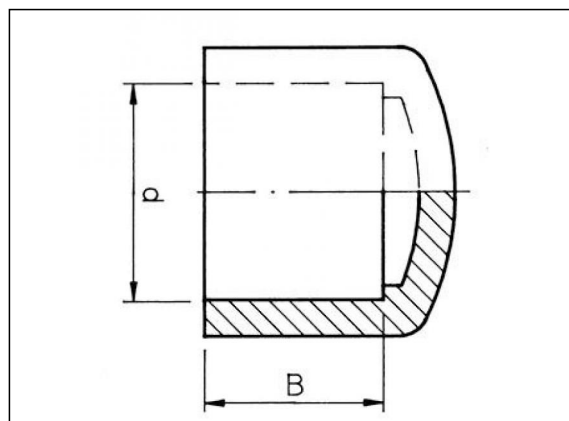
Productinformatie

Materiaal

- PVC-C = Polyvinylchloride post chlorinated

Vervaardiging

- Spuitgiet



Beschikbare artikelen

ART.CODE	d	B	PN	Verp
7018102001	20	16	16	250
7018102501	25	19	16	250
7018103201	32	22	16	170
7018104001	40	26	16	100
7018105001	50	31	16	200
7018106301	63	38	16	115
7018107501	75	44	16	70
7018109001	90	51	16	45
7018111001	110	61	16	24

Van de Lande BV

Lissenveld 1 \ 4941 VK Raamsdonksveer \ The Netherlands \ t +31 (0)162 51 60 00 \ f +31 (0)162 52 14 17 \ sales@vandelande.com
Traderegister Tilburg: 18070844 \ IBAN: NL13 RABO 0143 0035 26 \ BIC: RABONL2U \ VAT: NL 8123.91.755.B01

ART.CODE d B PN Verp

Van de Lande BV

Lissenveld 1 \ 4941 VK Raamsdonksveer \ The Netherlands \ t +31 (0)162 51 60 00 \ f +31 (0)162 52 14 17 \ sales@vandelande.com
Traderegister Tilburg: 18070844 \ IBAN: NL13 RABO 0143 0035 26 \ BIC: RABONL2U \ VAT: NL 8123.91.755.B01

All our transactions are subject to the Van de Lande General Terms of Sale. A copy of these can be provided immediately upon your request.