

3.24 Draadsok

Productinformatie

Eigenschappen

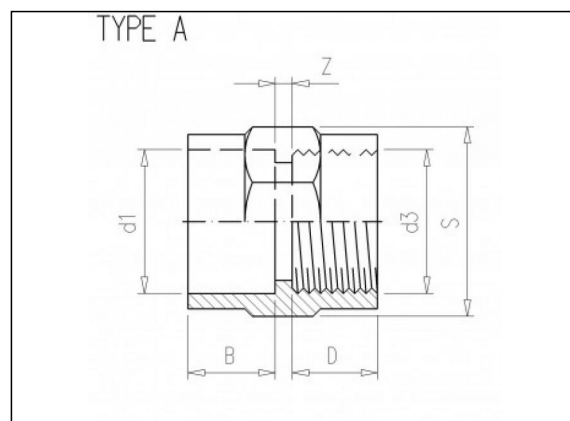
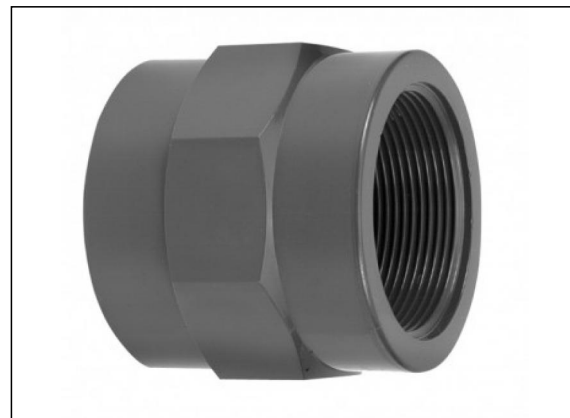
- Binnengasdraad
- RVS Versterkingsring

Materiaal

- PVC-U = Polyvinylchloride zonder weekmaker

Vervaardiging

- Spuitgiet



Beschikbare artikelen

ART.CODE	d1	d3	Z	B	D	S	Type	PN	Verp
3.24.019	1/2	1/4 (F)	4	17	12	32	A	16	100
3.24.020	1/2	3/8 (F)	4	17	12	32	A	16	100
3.24.021	1/2	1/2 (F)	1	17	15	32	B	16	50
3.24.029	3/4	3/8 (F)	7	20	12	36	A	16	100
3.24.030	3/4	1/2 (F)	4	20	15	36	A	16	100

Van de Lande BV

Lissenveld 1 \ 4941 VK Raamsdonksveer \ The Netherlands \ t +31 (0)162 51 60 00 \ f +31 (0)162 52 14 17 \ sales@vandelande.com
 Traderegister Tilburg: 18070844 \ IBAN: NL13 RABO 0143 0035 26 \ BIC: RABONL2U \ VAT: NL 8123.91.755.B01

ART.CODE	d1	d3	Z	B	D	S	Type	PN	Verp
3.24.031	3/4	3/4 (F)	3	20	16	36	B	16	50
3.24.044	1	1/2 (F)	5	23	15	46	B	16	50
3.24.045	1	3/4 (F)	6	23	16	46	B	16	75
3.24.046	1	1 (F)	2	23	22	46	B	16	50
3.24.054	1 1/4	3/4 (F)	4	28	16	55	B	16	50
3.24.055	1 1/4	1 (F)	2	28	22	55	B	16	50
3.24.056	1 1/4	1 1/4 (F)	1	28	23	55	B	16	50
3.24.064	1 1/2	1 (F)	3	30	22	66	B	16	100
3.24.065	1 1/2	1 1/4 (F)	5	30	23	66	B	16	75
3.24.066	1 1/2	1 1/2 (F)	3	30	25	66	B	16	50
3.24.069	2	1 1/4 (F)	5	36	23	80	B	16	50
3.24.070	2	1 1/2 (F)	4	36	25	80	B	16	50
3.24.071	2	2 (F)	4	36	28	80	B	16	25
3.25.077	2 1/2	1 1/2" (F)	5	44	23	96	B	10	40
3.25.079	2 1/2	2" (F)	4	44	27	96	B	10	35
3.25.081	2 1/2	2 1/2" (F)	3	44	31	96	B	10	40

Van de Lande BV

Lispenveld 1 \ 4941 VK Raamsdonksveer \ The Netherlands \ t +31 (0)162 51 60 00 \ f +31 (0)162 52 14 17 \ sales@vandelande.com
 Traderegister Tilburg: 18070844 \ IBAN: NL13 RABO 0143 0035 26 \ BIC: RABONL2U \ VAT: NL 8123.91.755.B01

www.vandelande.com

All our transactions are subject to the Van de Lande General Terms of Sale. A copy of these can be provided immediately upon your request.