

# 1.17 Bocht 30°

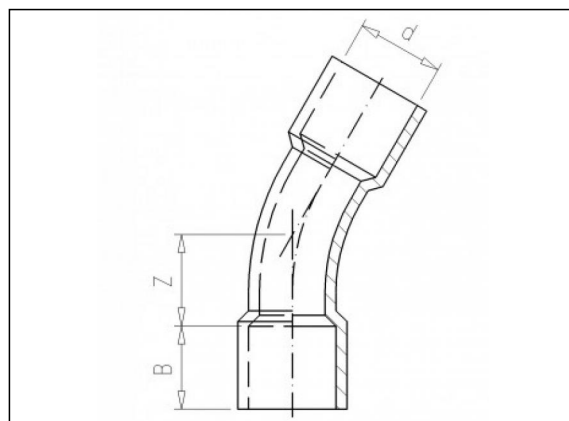
## Productinformatie

### Materiaal

- PVC-U = Polyvinylchloride zonder weekmaker

### Vervaardiging

- Vervaardigd uit buis



## Beschikbare artikelen

| ART.CODE | d   | Z   | B           | PN   | Verp |
|----------|-----|-----|-------------|------|------|
| 1.17.063 | 63  | 48  | 38-43       | 10   | 90   |
| 1.17.090 | 90  | 65  | 51-59       | 10   | 30   |
| 1.17.110 | 110 | 79  | 61-70       | 12.5 | 15   |
| 1.17.125 | 125 | 92  | 69-79       | 12.5 | 10   |
| 1.17.140 | 140 | 106 | 76-87       | 12.5 | 7    |
| 1.17.160 | 160 | 122 | 86-99       | 12.5 | 5    |
| 1.17.200 | 200 | 147 | 106-1<br>22 | 12.5 | 24   |
| 1.17.225 | 225 | 172 | 119-1<br>36 | 12.5 | 15   |

### Van de Lande BV

Lissenveld 1 \ 4941 VK Raamsdonksveer \ The Netherlands \ t +31 (0)162 51 60 00 \ f +31 (0)162 52 14 17 \ sales@vandelande.com  
Traderegister Tilburg: 18070844 \ IBAN: NL13 RABO 0143 0035 26 \ BIC: RABONL2U \ VAT: NL 8123.91.755.B01

| ART.CODE | d   | Z   | B           | PN   | Verp |
|----------|-----|-----|-------------|------|------|
| 1.17.250 | 250 | 195 | 131-1<br>51 | 12.5 | 12   |
| 1.17.280 | 280 | 213 | 146-1<br>68 | 12.5 | 1    |
| 1.17.315 | 315 | 240 | 164-1<br>88 | 12.5 | 1    |

**Van de Lande BV**

Lissenveld 1 \ 4941 VK Raamsdonksveer \ The Netherlands \ t +31 (0)162 51 60 00 \ f +31 (0)162 52 14 17 \ sales@vandelande.com  
Traderegister Tilburg: 18070844 \ IBAN: NL13 RABO 0143 0035 26 \ BIC: RABONL2U \ VAT: NL 8123.91.755.B01

All our transactions are subject to the Van de Lande General Terms of Sale. A copy of these can be provided immediately upon your request.