

## 2.07 T-stuk 90°

### Productinformatie

#### Eigenschappen

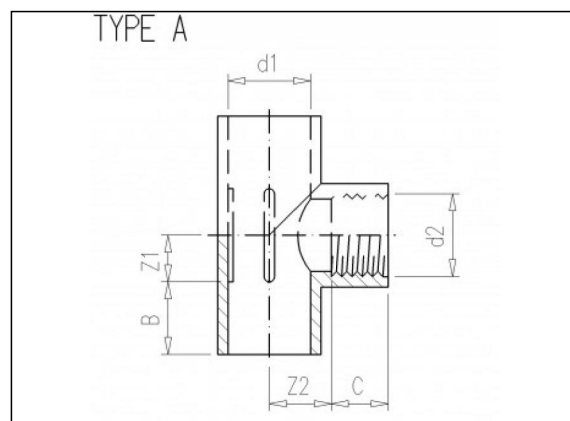
- Binnengasdraad
- RVS Versterkingsring

#### Materiaal

- PVC-U = Polyvinylchloride zonder weekmaker

#### Vervaardiging

- Spuitgiet



### Beschikbare artikelen

| ART.CODE | d1 | d2          | Z1 | Z2 | B  | C  | Type | PN | Verp |
|----------|----|-------------|----|----|----|----|------|----|------|
| 2.07.016 | 16 | 3/8"<br>(F) | 9  | 11 | 14 | 12 | A    | 10 | 100  |
| 2.07.017 | 16 | 3/8"<br>(F) | 9  | 11 | 14 | 12 | B    | 16 | 50   |
| 2.07.020 | 20 | 1/2"<br>(F) | 11 | 12 | 16 | 16 | A    | 10 | 100  |
| 2.07.021 | 20 | 1/2"<br>(F) | 11 | 12 | 16 | 16 | B    | 16 | 50   |
| 2.07.023 | 25 | 1/2"<br>(F) | 14 | 14 | 19 | 16 | A    | 10 | 200  |

#### Van de Lande BV

Lissenveld 1 \ 4941 VK Raamsdonksveer \ The Netherlands \ t +31 (0)162 51 60 00 \ f +31 (0)162 52 14 17 \ sales@vandelande.com  
 Traderegister Tilburg: 18070844 \ IBAN: NL13 RABO 0143 0035 26 \ BIC: RABONL2U \ VAT: NL 8123.91.755.B01

| ART.CODE | d1  | d2               | Z1 | Z2   | B  | C  | Type | PN | Verp |
|----------|-----|------------------|----|------|----|----|------|----|------|
| 2.07.024 | 25  | 1/2"<br>(F)      | 14 | 14   | 19 | 16 | B    | 16 | 50   |
| 2.07.025 | 25  | 3/4"<br>(F)      | 14 | 16   | 19 | 17 | A    | 10 | 200  |
| 2.07.026 | 25  | 3/4"<br>(F)      | 14 | 16   | 19 | 17 | B    | 16 | 50   |
| 2.07.028 | 32  | 1/2"<br>(F)      | 17 | 17   | 22 | 16 | A    | 10 | 100  |
| 2.07.029 | 32  | 1/2"<br>(F)      | 17 | 17   | 22 | 16 | B    | 16 | 50   |
| 2.07.032 | 32  | 1" (F)           | 17 | 19   | 22 | 20 | A    | 10 | 100  |
| 2.07.033 | 32  | 1" (F)           | 17 | 19   | 22 | 20 | B    | 16 | 50   |
| 2.07.040 | 40  | 1<br>1/4"<br>(F) | 23 | 26.5 | 26 | 22 | A    | 10 | 100  |
| 2.07.041 | 40  | 1<br>1/4"<br>(F) | 23 | 26.5 | 26 | 22 | B    | 16 | 50   |
| 2.07.050 | 50  | 1<br>1/2"<br>(F) | 27 | 37   | 32 | 22 | A    | 10 | 50   |
| 2.07.051 | 50  | 1<br>1/2"<br>(F) | 27 | 37   | 32 | 22 | B    | 16 | 50   |
| 2.07.063 | 63  | 2" (F)           | 34 | 41.5 | 38 | 30 | A    | 10 | 25   |
| 2.07.064 | 63  | 2" (F)           | 34 | 41.5 | 38 | 30 | B    | 16 | 25   |
| 2.07.076 | 75  | 2<br>1/2"<br>(F) | 40 | 53   | 44 | 31 | B    | 10 | 18   |
| 2.07.091 | 90  | 3" (F)           | 48 | 62   | 52 | 39 | B    | 10 | 10   |
| 2.07.111 | 110 | 4" (F)           | 62 | 84   | 62 | 41 | B    | 10 | 7    |

**Van de Lande BV**

Lissenveld 1 \ 4941 VK Raamsdonksveer \ The Netherlands \ t +31 (0)162 51 60 00 \ f +31 (0)162 52 14 17 \ sales@vandelande.com  
 Traderegister Tilburg: 18070844 \ IBAN: NL13 RABO 0143 0035 26 \ BIC: RABONL2U \ VAT: NL 8123.91.755.B01

[www.vandelande.com](http://www.vandelande.com)

All our transactions are subject to the Van de Lande General Terms of Sale. A copy of these can be provided immediately upon your request.