

2.20 Bocht 90°

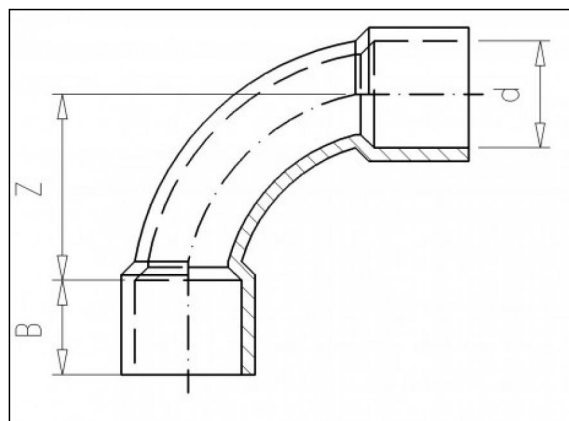
Productinformatie

Materiaal

- PVC-U = Polyvinylchloride zonder weekmaker

Vervaardiging

- Spuitgiet



Beschikbare artikelen

ART.CODE	d	Z	B	PN	Verp
2.20.020	20	30	16	16	100
2.20.025	25	37.5	19	16	100
2.20.032	32	48	22	16	100
2.20.033	32	48	22	10	100
2.20.040	40	60	26	16	100
2.20.041	40	60	26	10	100
2.20.050	50	75	31	16	50
2.20.051	50	75	31	10	50

Van de Lande BV

Lissenveld 1 \ 4941 VK Raamsdonksveer \ The Netherlands \ t +31 (0)162 51 60 00 \ f +31 (0)162 52 14 17 \ sales@vandelande.com
Traderegister Tilburg: 18070844 \ IBAN: NL13 RABO 0143 0035 26 \ BIC: RABONL2U \ VAT: NL 8123.91.755.B01

All our transactions are subject to the Van de Lande General Terms of Sale. A copy of these can be provided immediately upon your request.