

3.10 Lijmring

Productinformatie

Eigenschappen

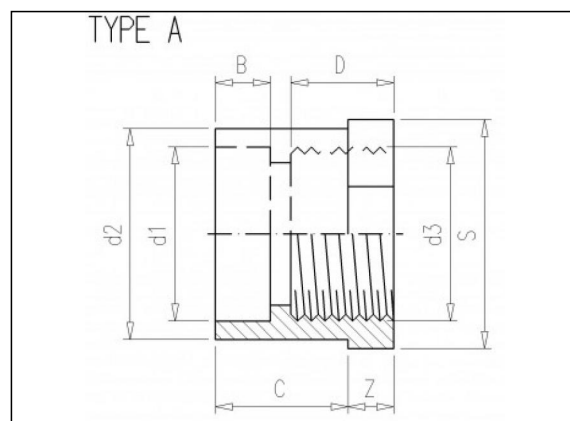
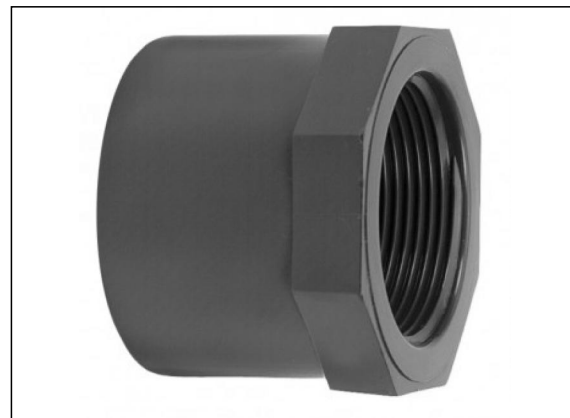
- Binnengasdraad

Materiaal

- PVC-U = Polyvinylchloride zonder weekmaker

Vervaardiging

- Spuitgiet



Beschikbare artikelen

ART.CODE	d1	d2	d3	Z	B	C	S	D	Type	PN	Verp
3.10.016	-	16	1/4" (F)	6	-	14	19	14	A	16	250
3.10.020	-	20	1/4" (F)	6	-	16	22	14	A	16	250
3.10.021	-	20	3/8" (F)	6	-	16	22	14	A	16	250
3.10.025	-	25	3/8" (F)	8	-	19	27	14	A	16	250
3.10.026	-	25	1/2" (F)	8	-	19	27	17	A	16	250

Van de Lande BV

Lissenveld 1 \ 4941 VK Raamsdonksveer \ The Netherlands \ t +31 (0)162 51 60 00 \ f +31 (0)162 52 14 17 \ sales@vandelande.com
 Traderegister Tilburg: 18070844 \ IBAN: NL13 RABO 0143 0035 26 \ BIC: RABONL2U \ VAT: NL 8123.91.755.B01

ART.CODE	d1	d2	d3	Z	B	C	S	D	Type	PN	Verp
3.10.032	-	32	1/2" (F)	8	-	22	36	17	A	16	250
3.10.033	-	32	3/4" (F)	8	-	22	36	19	A	16	250
3.10.039	-	40	1/2" (F)	11	-	26	46	17	A	16	200
3.10.040	-	40	3/4" (F)	11	-	26	46	19	A	16	100
3.10.041	-	40	1" (F)	11	-	26	46	21	A	16	100
3.10.048	-	50	1/2" (F)	12	-	31	55	17	A	16	100
3.10.049	-	50	3/4" (F)	12	-	31	55	19	A	16	100
3.10.050	-	50	1" (F)	12	-	31	55	21	A	16	100
3.10.051	-	50	1 1/4" (F)	12	-	31	55	23	A	16	100
3.10.060	-	63	1/2" (F)	13	-	38	65	17	A	16	100
3.10.061	-	63	3/4" (F)	13	-	38	65	19	A	16	100
3.10.062	-	63	1" (F)	13	-	38	65	21	A	16	100
3.10.063	-	63	1 1/4" (F)	13	-	38	65	23	A	16	100
3.10.064	-	63	1 1/2" (F)	13	-	38	65	23	A	16	100
3.10.074	-	75	1 1/4" (F)	13	-	44	80	23	A	16	50
3.10.075	-	75	1 1/2" (F)	13	-	44	80	23	A	16	50
3.10.076	-	75	2" (F)	13	-	44	80	29	A	16	50
3.10.090	75	90	2" (F)	20	44	51	95	25	A	16	50
3.10.091	-	90	2 1/2" (F)	20	-	51	95	31	A	16	50
3.10.092	75	90	3" (F)	25	44	51	-	35	C	10	24
3.10.110	90	110	2" (F)	20	-	61	115	25	A	16	25

Van de Lande BV

Lissenveld 1 \ 4941 VK Raamsdonksveer \ The Netherlands \ t +31 (0)162 51 60 00 \ f +31 (0)162 52 14 17 \ sales@vandelande.com
 Traderegister Tilburg: 18070844 \ IBAN: NL13 RABO 0143 0035 26 \ BIC: RABONL2U \ VAT: NL 8123.91.755.B01

www.vandelande.com

All our transactions are subject to the Van de Lande General Terms of Sale. A copy of these can be provided immediately upon your request.

ART.CODE	d1	d2	d3	Z	B	C	S	D	Type	PN	Verp
3.10.111	90	110	2 1/2" (F)	22	-	61	115	29	A	16	25
3.10.112	-	110	3" (F)	22	-	61	115	34	A	16	25
3.10.113	-	110	4" (F)	30	-	61	-	40	C	10	25
3.10.125	-	125	3" (F)	25	-	61	138	32	A	10	25
3.10.126	-	125	4" (F)	25	-	61	138	34	A	10	25
3.10.160	-	160	5" (F)	-	-	86	-	38	B	16	8
3.10.200	-	200	6" (F)	-	-	108	-	46	B	10	10

Van de Lande BV

Lissenveld 1 \ 4941 VK Raamsdonksveer \ The Netherlands \ t +31 (0)162 51 60 00 \ f +31 (0)162 52 14 17 \ sales@vandelande.com
Traderegister Tilburg: 18070844 \ IBAN: NL13 RABO 0143 0035 26 \ BIC: RABONL2U \ VAT: NL 8123.91.755.B01

www.vandelande.com

All our transactions are subject to the Van de Lande General Terms of Sale. A copy of these can be provided immediately upon your request.