

3.25 Draadsok

Productinformatie

Eigenschappen

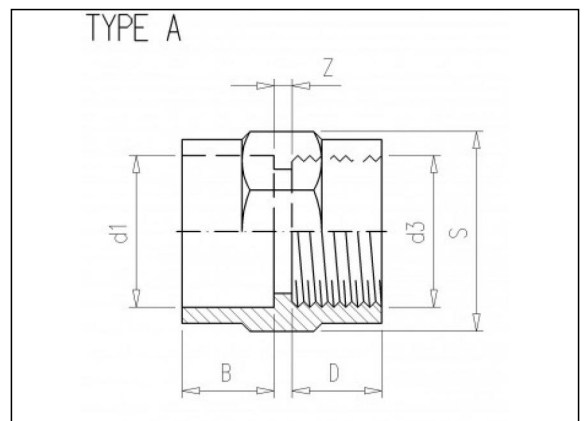
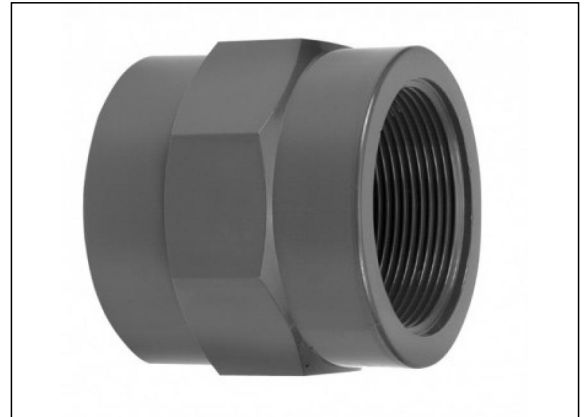
- Binnengasdraad
- RVS Versterkingsring

Materiaal

- PVC-U = Polyvinylchloride zonder weekmaker

Vervaardiging

- Spuitgiet



Beschikbare artikelen

| ART.CODE | d1 | d3 | Z | B | D | S | Type | PN | Verp |
|----------|----|-------------|---|----|----|----|------|----|------|
| 3.25.010 | 12 | 1/4" (F) | 2 | 12 | 12 | 24 | A | 16 | 100 |
| 3.25.013 | 16 | 1/4" (F) | 3 | 14 | 12 | 27 | A | 16 | 100 |
| 3.25.015 | 16 | 3/8" (F) | 3 | 14 | 12 | 27 | A | 10 | 100 |
| 3.25.016 | 16 | 3/8" (F) | 3 | 14 | 12 | 27 | B | 16 | 50 |
| 3.25.017 | 20 | 1/4" (F) | 5 | 16 | 12 | 32 | A | 16 | 50 |

Van de Lande BV

Lissenveld 1 \ 4941 VK Raamsdonksveer \ The Netherlands \ t +31 (0)162 51 60 00 \ f +31 (0)162 52 14 17 \ sales@vandelande.com
 Traderegister Tilburg: 18070844 \ IBAN: NL13 RABO 0143 0035 26 \ BIC: RABONL2U \ VAT: NL 8123.91.755.B01

| ART.CODE | d1 | d3 | Z | B | D | S | Type | PN | Verp |
|----------|----|------------------|----|----|----|----|------|----|------|
| 3.25.018 | 20 | 3/8" (F) | 5 | 16 | 12 | 32 | A | 16 | 100 |
| 3.25.020 | 20 | 1/2" (F) | 2 | 16 | 15 | 32 | A | 10 | 100 |
| 3.25.021 | 20 | 1/2" (F) | 2 | 16 | 15 | 32 | B | 16 | 50 |
| 3.25.026 | 25 | 1/2" (F) | 5 | 19 | 15 | 36 | A | 16 | 100 |
| 3.25.028 | 25 | 3/8" (F) | 8 | 19 | 12 | 36 | A | 16 | 50 |
| 3.25.030 | 25 | 3/4" (F) | 4 | 19 | 16 | 36 | A | 10 | 100 |
| 3.25.031 | 25 | 3/4" (F) | 4 | 19 | 16 | 36 | B | 16 | 50 |
| 3.25.036 | 32 | 1/2" (F) | 10 | 22 | 15 | 46 | A | 16 | 100 |
| 3.25.041 | 32 | 3/4" (F) | 9 | 22 | 16 | 46 | A | 16 | 100 |
| 3.25.045 | 32 | 1" (F) | 3 | 22 | 22 | 46 | A | 10 | 100 |
| 3.25.046 | 32 | 1" (F) | 3 | 22 | 22 | 46 | B | 16 | 50 |
| 3.25.048 | 40 | 3/4" (F) | 6 | 26 | 16 | 55 | A | 10 | 150 |
| 3.25.049 | 40 | 3/4" (F) | 6 | 26 | 16 | 55 | B | 16 | 50 |
| 3.25.051 | 40 | 1" (F) | 4 | 26 | 22 | 55 | A | 16 | 100 |
| 3.25.055 | 40 | 1 1/4" (F) | 3 | 26 | 23 | 55 | A | 10 | 100 |
| 3.25.056 | 40 | 1 1/4" (F) | 3 | 26 | 23 | 55 | B | 16 | 50 |
| 3.25.058 | 50 | 1" (F) | 2 | 31 | 22 | 66 | A | 10 | 100 |
| 3.25.059 | 50 | 1" (F) | 2 | 31 | 22 | 66 | B | 16 | 75 |
| 3.25.061 | 50 | 1 1/4" (F) | 4 | 31 | 23 | 66 | A | 16 | 100 |
| 3.25.065 | 50 | 1 1/2" (F) | 2 | 31 | 25 | 66 | A | 10 | 100 |

Van de Lande BV

Lissenveld 1 \ 4941 VK Raamsdonksveer \ The Netherlands \ t +31 (0)162 51 60 00 \ f +31 (0)162 52 14 17 \ sales@vandelande.com
 Traderegister Tilburg: 18070844 \ IBAN: NL13 RABO 0143 0035 26 \ BIC: RABONL2U \ VAT: NL 8123.91.755.B01

www.vandelande.com

All our transactions are subject to the Van de Lande General Terms of Sale. A copy of these can be provided immediately upon your request.

| ART.CODE | d1 | d3 | Z | B | D | S | Type | PN | Verp |
|------------|-----|------------------|---|----|----|-----|------|----|------|
| 3.25.066 | 50 | 1 1/2" (F) | 2 | 31 | 25 | 66 | B | 16 | 50 |
| 3.25.067 | 63 | 1 1/4" (F) | 3 | 38 | 23 | 80 | A | 10 | 50 |
| 3.25.067.1 | 63 | 1 1/4" (F) | 3 | 38 | 23 | 80 | B | 16 | 50 |
| 3.25.069 | 63 | 1 1/2" (F) | 5 | 38 | 25 | 80 | A | 16 | 50 |
| 3.25.070 | 63 | 2" (F) | 3 | 38 | 27 | 80 | A | 10 | 50 |
| 3.25.071 | 63 | 2" (F) | 3 | 38 | 27 | 80 | B | 16 | 25 |
| 3.25.076 | 75 | 1 1/2" (F) | 5 | 44 | 23 | 96 | A | 10 | 40 |
| 3.25.077 | 75 | 1 1/2" (F) | 5 | 44 | 23 | 96 | B | 16 | 40 |
| 3.25.078 | 75 | 2" (F) | 4 | 44 | 27 | 96 | A | 10 | 45 |
| 3.25.079 | 75 | 2"(F) | 4 | 44 | 27 | 96 | B | 16 | 35 |
| 3.25.081 | 75 | 2 1/2" (F) | 4 | 44 | 31 | 96 | B | 10 | 40 |
| 3.25.091 | 90 | 3" (F) | 4 | 51 | 36 | 114 | B | 10 | 24 |
| 3.25.101 | 110 | 4" (F) | 6 | 56 | 45 | 137 | B | 10 | 15 |

Van de Lande BV

Lissenveld 1 \ 4941 VK Raamsdonksveer \ The Netherlands \ t +31 (0)162 51 60 00 \ f +31 (0)162 52 14 17 \ sales@vandelande.com
 Traderegister Tilburg: 18070844 \ IBAN: NL13 RABO 0143 0035 26 \ BIC: RABONL2U \ VAT: NL 8123.91.755.B01

www.vandelande.com

All our transactions are subject to the Van de Lande General Terms of Sale. A copy of these can be provided immediately upon your request.