

3.60 Spuitgietskoppeling kort type B

Productinformatie

Materiaal

- PVC-U = Polyvinylchloride zonder weekmaker

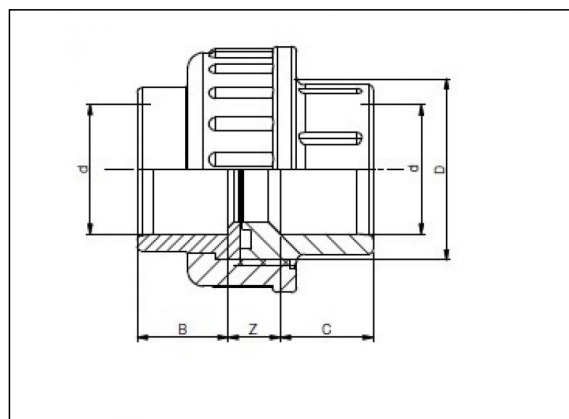
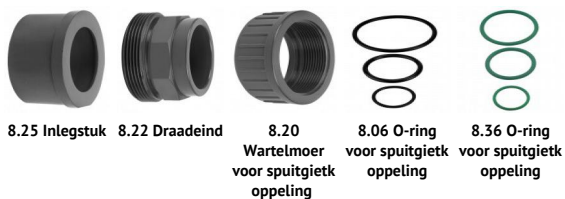
Afdichting

- EPDM

Vervaardiging

- Spuitgiet

Onderdelen



Beschikbare artikelen

ART.CODE	d	Z	B	C	D	S	PN	Verp
3.60.019	20	14	16	16	1"	-	16	100
3.60.024	25	14	19	19	1 1/4"	-	16	60
3.60.031	32	14	22	22	1 1/2"	-	16	150
3.60.039	40	16	26	26	2"	-	16	100
3.60.049	50	18	31	31	2 1/4"	-	16	60

Van de Lande BV

Lissenveld 1 \ 4941 VK Raamsdonksveer \ The Netherlands \ t +31 (0)162 51 60 00 \ f +31 (0)162 52 14 17 \ sales@vandelande.com
 Traderegister Tilburg: 18070844 \ IBAN: NL13 RABO 0143 0035 26 \ BIC: RABONL2U \ VAT: NL 8123.91.755.B01

ART.CODE	d	Z	B	C	D	S	PN	Verp
3.60.062	63	22	38	38	2 3/4"	-	16	45

Van de Lande BV

Lissenveld 1 \ 4941 VK Raamsdonksveer \ The Netherlands \ t +31 (0)162 51 60 00 \ f +31 (0)162 52 14 17 \ sales@vandelande.com
Traderegister Tilburg: 18070844 \ IBAN: NL13 RABO 0143 0035 26 \ BIC: RABONL2U \ VAT: NL 8123.91.755.B01

All our transactions are subject to the Van de Lande General Terms of Sale. A copy of these can be provided immediately upon your request.