

3.74 Blindflens

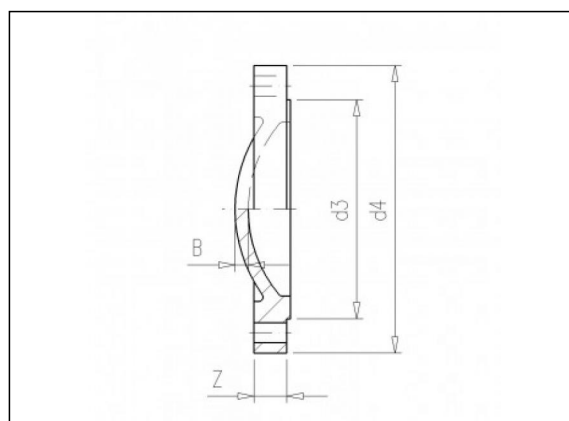
Productinformatie

Materiaal

- PVC-U = Polyvinylchloride zonder weekmaker

Vervaardiging

- Spuitgiet



Beschikbare artikelen

ART.CODE	Dia	DN	d2	d3	d4	Z	B	NxD	Type	Verp
3.74.016	16	10	60	29	90	10	13.5	4x14	A	50
3.74.020	20	15	61/63	34	95	11	14.5	4x16	B	75
3.74.025	25	20	70/73	41	105	12	16	4x16	B	50
3.74.032	32	25	79/83	50	115	14	19	4x16	B	50
3.74.040	40	32	91/100	61	140	15	20	4x18	B	30
3.74.050	50	40	101/110	74	150	16	22	4x18	B	40
3.74.063	63	50	121/124	91	165	18	24.5	4x18	B	15

Van de Lande BV

Lissenveld 1 \ 4941 VK Raamsdonksveer \ The Netherlands \ t +31 (0)162 51 60 00 \ f +31 (0)162 52 14 17 \ sales@vandelande.com
 Traderegister Tilburg: 18070844 \ IBAN: NL13 RABO 0143 0035 26 \ BIC: RABONL2U \ VAT: NL 8123.91.755.B01

ART.CODE	Dia	DN	d2	d3	d4	Z	B	NxD	Type	Verp
3.74.075	75	65	140/1 44	106	185	19	26.5	4x19	B	14
3.74.090	90	80	153/1 59	125	200	20	30	8x19	B	15
3.74.110	110	100	181/1 90	150	220	22	34.5	8x19	B	15
3.74.125	125	110	190	166	235	26	38.5	8x18	A	10
3.74.140	140	125	215	184	250	26	39	8x23	A	10
3.74.160	160	150	240	209	285	28	43.5	8x24	A	6
3.74.200	200	175	270	248	315	36	63	8x22	A	5
3.74.225	225	200	295	260	340	36	63	8x22	A	5
3.74.250	250	225	325	303	370	36	63	8x22	A	5
3.74.280	280	250	350	328	395	36	65	12x2 2	A	1
3.74.315	315	300	400	378	445	36	65	12x2 2	A	1
3.74.355	355	350	460	430	505	38	67	16x2 2	A	1
3.74.400	400	400	515	482	565	42	71	16x2 6	A	1

Van de Lande BV

Lissenveld 1 \ 4941 VK Raamsdonksveer \ The Netherlands \ t +31 (0)162 51 60 00 \ f +31 (0)162 52 14 17 \ sales@vandelande.com
 Traderegister Tilburg: 18070844 \ IBAN: NL13 RABO 0143 0035 26 \ BIC: RABONL2U \ VAT: NL 8123.91.755.B01