

# 5.15 2/3 Koppeling

## Productinformatie

### Eigenschappen

- Binnengasdraad
- Met rubberring

### Materiaal

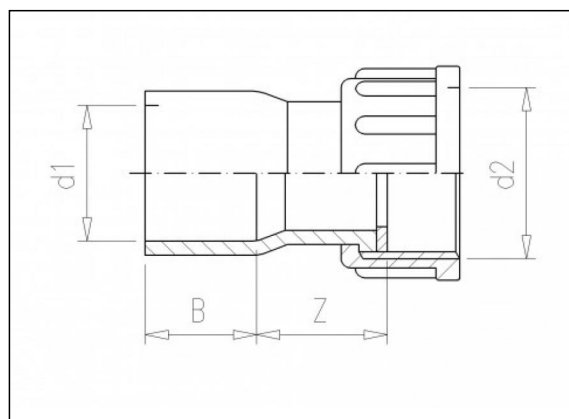
- PVC-U = Polyvinylchloride zonder weekmaker

### Afdichting

- EPDM

### Vervaardiging

- Spuitgiet



## Beschikbare artikelen

ART.CODE	d1	d2	Z	B	PN	Verp
5.15.010	25	1" (F)	27	27	16	250
5.15.015	32	1" (F)	32	29	10	200
5.15.020	32	1 1/4" (F)	27	27	16	250
5.15.025	40	1 1/4" (F)	34	29	10	100

### Van de Lande BV

Lissenveld 1 \ 4941 VK Raamsdonksveer \ The Netherlands \ t +31 (0)162 51 60 00 \ f +31 (0)162 52 14 17 \ sales@vandelande.com  
 Traderegister Tilburg: 18070844 \ IBAN: NL13 RABO 0143 0035 26 \ BIC: RABONL2U \ VAT: NL 8123.91.755.B01

ART.CODE	d1	d2	Z	B	PN	Verp
5.15.030	40	1 1/2" (F)	34	32	16	200
5.15.035	50	1 1/2" (F)	42	33	10	100
5.15.040	50	2" (F)	36	41	16	100
5.15.043	63	2" (F)	50	47	10	25
5.15.045	63	2 1/2" (F)	43	44	10	50
5.15.048	75	2 1/2" (F)	51	56	6	25
5.15.050	75	3" (F)	49	56	6	25
5.15.055	90	3" (F)	48	53	6	25

**Van de Lande BV**

Lissenveld 1 \ 4941 VK Raamsdonksveer \ The Netherlands \ t +31 (0)162 51 60 00 \ f +31 (0)162 52 14 17 \ sales@vandelande.com  
Traderegister Tilburg: 18070844 \ IBAN: NL13 RABO 0143 0035 26 \ BIC: RABONL2U \ VAT: NL 8123.91.755.B01

[www.vandelande.com](http://www.vandelande.com)

All our transactions are subject to the Van de Lande General Terms of Sale. A copy of these can be provided immediately upon your request.