

6.10 Kogelkraan type: Eid

Productinformatie

Eigenschappen

- Binnengasdraad
- RVS Versterkingsring

Materiaal

- PVC-U = Polyvinylchloride zonder weekmaker

Afdichting

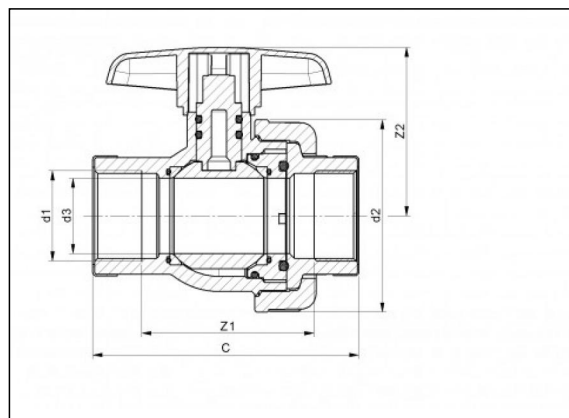
- EPDM

Vervaardiging

- Spuitgiet



Onderdelen



Beschikbare artikelen

ART.CODE	d1	d2	d3	Z1	Z2	C	DN	PN	Verp
6.10.016	3/8 (F)	59	15	53	50	77	10	16	50
6.10.020	1/2 (F)	59	15	46	50	77	15	16	50
6.10.025	3/4 (F)	64	20	51	55	87	20	16	50
6.10.032	1 (F)	73	25	62	65	102	25	16	50
6.10.040	1 1/4 (F)	86	32	72	75	117	32	16	25
6.10.050	1 1/2 (F)	102	40	84	90	141	40	16	20

Van de Lande BV

Lissenveld 1 \ 4941 VK Raamsdonksveer \ The Netherlands \ t +31 (0)162 51 60 00 \ f +31 (0)162 52 14 17 \ sales@vandelande.com
 Traderegister Tilburg: 18070844 \ IBAN: NL13 RABO 0143 0035 26 \ BIC: RABONL2U \ VAT: NL 8123.91.755.B01

ART.CODE	d1	d2	d3	Z1	Z2	C	DN	PN	Verp
6.10.063	2 (F)	124	50	108	103	170	50	16	10

Van de Lande BV

Lissenveld 1 \ 4941 VK Raamsdonksveer \ The Netherlands \ t +31 (0)162 51 60 00 \ f +31 (0)162 52 14 17 \ sales@vandelande.com
Traderegister Tilburg: 18070844 \ IBAN: NL13 RABO 0143 0035 26 \ BIC: RABONL2U \ VAT: NL 8123.91.755.B01

All our transactions are subject to the Van de Lande General Terms of Sale. A copy of these can be provided immediately upon your request.