

6.15 Kogelkraan type: Dil blauw

Productinformatie

Materiaal

- PVC-U = Polyvinylchloride zonder weekmaker

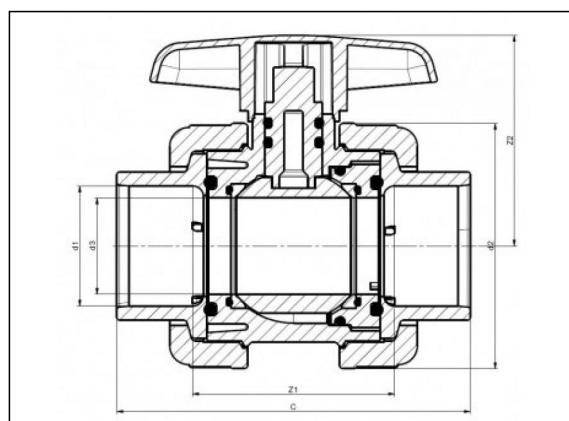
Afdichting

- EPDM

Vervaardiging

- Spuitgiet

Onderdelen



Beschikbare artikelen

ART.CODE	d1	d2	d3	Z1	Z2	C	DN	PN	Verp
6.15.017	16	59	15	54	56	84	10	16	50
6.15.021	20	59	15	50	56	84	15	16	50
6.15.026	25	64	20	54	57	94	20	16	50
6.15.033	32	73	25	64	66	110	25	16	50
6.15.041	40	86	32	69	75	122	32	16	25
6.15.051	50	102	40	87	90	150	40	16	15
6.15.064	63	124	50	102	102	180	50	16	10
6.15.076	75	151	63	128	123	217	65	10	5
6.15.091	90	178.5	75	152	143	255	80	10	3

Van de Lande BV

Lissenveld 1 \ 4941 VK Raamsdonksveer \ The Netherlands \ t +31 (0)162 51 60 00 \ f +31 (0)162 52 14 17 \ sales@vandelande.com
 Traderegister Tilburg: 18070844 \ IBAN: NL13 RABO 0143 0035 26 \ BIC: RABONL2U \ VAT: NL 8123.91.755.B01

ART.CODE	d1	d2	d3	Z1	Z2	C	DN	PN	Verp
6.15.111	110	215.5	90	184	161	307	100	10	1

Van de Lande BV

Lissenveld 1 \ 4941 VK Raamsdonksveer \ The Netherlands \ t +31 (0)162 51 60 00 \ f +31 (0)162 52 14 17 \ sales@vandelande.com
Traderegister Tilburg: 18070844 \ IBAN: NL13 RABO 0143 0035 26 \ BIC: RABONL2U \ VAT: NL 8123.91.755.B01

All our transactions are subject to the Van de Lande General Terms of Sale. A copy of these can be provided immediately upon your request.