

# 6.20 Kogelkraan type: Did

## Productinformatie

### Eigenschappen

- Binnengasdraad
- RVS Versterkingsring

### Materiaal

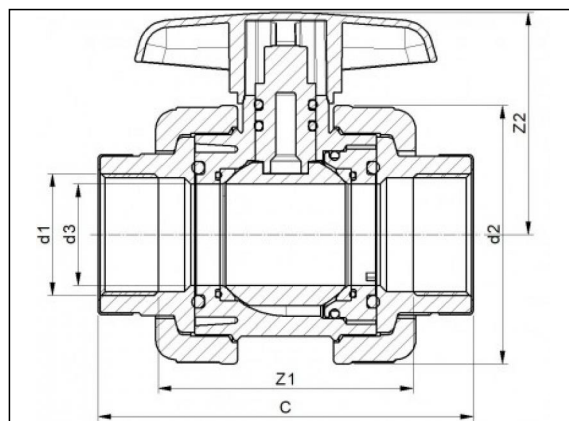
- PVC-U = Polyvinylchloride zonder weekmaker

### Afdichting

- EPDM



## Onderdelen



## Beschikbare artikelen

ART.CODE	Type	d1	d2	d3	Z1	Z2	C	DN	PN	Verp
6.20.016	A	3/8 (F)	59	15	60	56	84	10	16	50
6.20.020	A	1/2 (F)	59	15	52	56	84	15	16	50
6.20.025	A	3/4 (F)	64	20	60	57	94	20	16	50
6.20.032	A	1 (F)	73	25	69	66	110	25	16	50
6.20.040	A	1 1/4 (F)	86	32	79	75	122	32	16	25
6.20.050	A	1 1/2 (F)	102	40	102	90	150	40	16	15

### Van de Lande BV

Lissenveld 1 \ 4941 VK Raamsdonksveer \ The Netherlands \ t +31 (0)162 51 60 00 \ f +31 (0)162 52 14 17 \ sales@vandelande.com  
 Traderegister Tilburg: 18070844 \ IBAN: NL13 RABO 0143 0035 26 \ BIC: RABONL2U \ VAT: NL 8123.91.755.B01

ART.CODE	Type	d1	d2	d3	Z1	Z2	C	DN	PN	Verp
6.20.063	A	2 (F)	124	50	118	102	180	50	16	10
6.20.075	B	2 1/2 (F)	151	63	155	123	217	65	10	5
6.20.090	B	3 (F)	178.5	75	185	143	255	80	10	3
6.20.110	B	4 (F)	215.5	90	227	161	307	100	10	1

**Van de Lande BV**

Lissenveld 1 \ 4941 VK Raamsdonksveer \ The Netherlands \ t +31 (0)162 51 60 00 \ f +31 (0)162 52 14 17 \ sales@vandelande.com  
Traderegister Tilburg: 18070844 \ IBAN: NL13 RABO 0143 0035 26 \ BIC: RABONL2U \ VAT: NL 8123.91.755.B01

[www.vandelande.com](http://www.vandelande.com)

All our transactions are subject to the Van de Lande General Terms of Sale. A copy of these can be provided immediately upon your request.