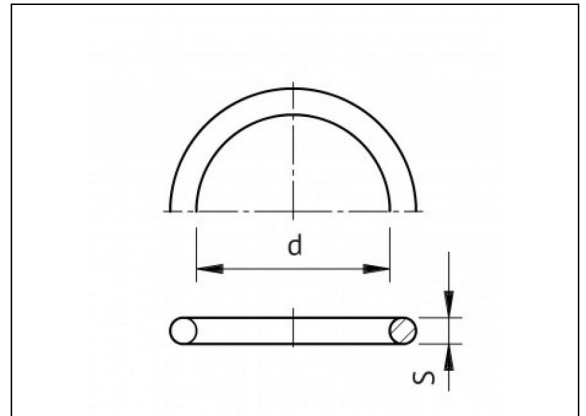
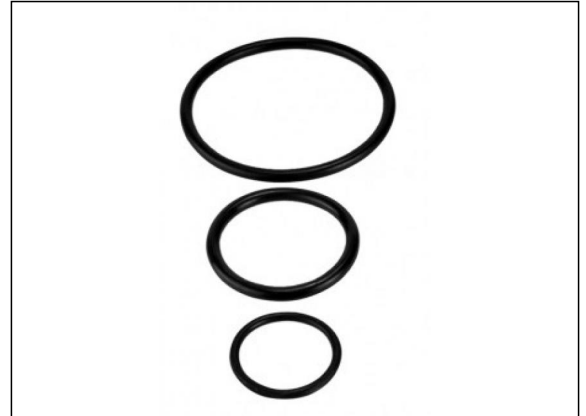


# 8.06 O-ring voor spuitgietskoppeling

## Productinformatie

### Afdichting

- EPDM



## Beschikbare artikelen

| ART.CODE | Dia | d     | S    | Verp |
|----------|-----|-------|------|------|
| 8.06.016 | 16  | 15.55 | 2.62 | 1000 |
| 8.06.020 | 20  | 20.22 | 3.53 | 1000 |
| 8.06.025 | 25  | 28.17 | 3.53 | 500  |
| 8.06.032 | 32  | 32.92 | 3.53 | 500  |
| 8.06.040 | 40  | 40.64 | 5.33 | 300  |
| 8.06.050 | 50  | 46.99 | 5.33 | 200  |
| 8.06.063 | 63  | 59.69 | 5.33 | 100  |

### Van de Lande BV

Lissenveld 1 \ 4941 VK Raamsdonksveer \ The Netherlands \ t +31 (0)162 51 60 00 \ f +31 (0)162 52 14 17 \ sales@vandelande.com  
Traderegister Tilburg: 18070844 \ IBAN: NL13 RABO 0143 0035 26 \ BIC: RABONL2U \ VAT: NL 8123.91.755.B01

| ART.CODE | Dia | d     | S    | Verp |
|----------|-----|-------|------|------|
| 8.06.075 | 75  | 78.74 | 5.33 | 100  |
| 8.06.090 | 90  | 97.79 | 5.33 | 100  |
| 8.06.110 | 110 | 117.5 | 5.33 | 50   |

**Van de Lande BV**

Lissenveld 1 \ 4941 VK Raamsdonksveer \ The Netherlands \ t +31 (0)162 51 60 00 \ f +31 (0)162 52 14 17 \ sales@vandelande.com  
Traderegister Tilburg: 18070844 \ IBAN: NL13 RABO 0143 0035 26 \ BIC: RABONL2U \ VAT: NL 8123.91.755.B01

All our transactions are subject to the Van de Lande General Terms of Sale. A copy of these can be provided immediately upon your request.