

## 8.20 Wartelmoer

### Productinformatie

**Eigenschappen**

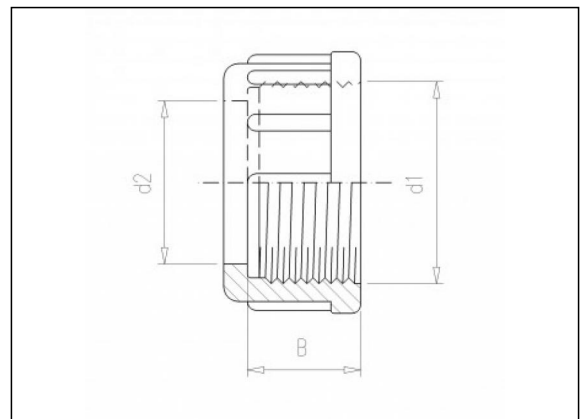
- Binnengasdraad

**Materiaal**

- PVC-U = Polyvinylchloride zonder weekmaker

**Vervaardiging**

- Spuitgiet



### Beschikbare artikelen

ART.CODE	Dia	d1	d2	B	Verp
8.20.010	10/12	5/8" (F)	18	14	100
8.20.016	16	3/4" (F)	22	16	100
8.20.020	20	1" (F)	28	16	100
8.20.025	25	1 1/4" (F)	36	18	50
8.20.026	32	1 1/4" (F)			50

**Van de Lande BV**

Lissenveld 1 \ 4941 VK Raamsdonksveer \ The Netherlands \ t +31 (0)162 51 60 00 \ f +31 (0)162 52 14 17 \ sales@vandelande.com  
Traderegister Tilburg: 18070844 \ IBAN: NL13 RABO 0143 0035 26 \ BIC: RABONL2U \ VAT: NL 8123.91.755.B01

ART.CODE	Dia	d1	d2	B	Verp
8.20.032	32	1 1/2" (F)	41	19	50
8.20.040	40	2" (F)	53	21	25
8.20.050	50	2 1/4" (F)	58	24	25
8.20.063	63	2 3/4" (F)	74	27	25
8.20.075	90	ZGTD " (F)	90	39	10
8.20.090	90	ZGTD " (F)	108	44	5
8.20.110	110	ZGTD " (F)	130	50	5

**Van de Lande BV**

Lissenveld 1 \ 4941 VK Raamsdonksveer \ The Netherlands \ t +31 (0)162 51 60 00 \ f +31 (0)162 52 14 17 \ sales@vandelande.com  
Traderegister Tilburg: 18070844 \ IBAN: NL13 RABO 0143 0035 26 \ BIC: RABONL2U \ VAT: NL 8123.91.755.B01

All our transactions are subject to the Van de Lande General Terms of Sale. A copy of these can be provided immediately upon your request.