

# WIT226 Knie 90°

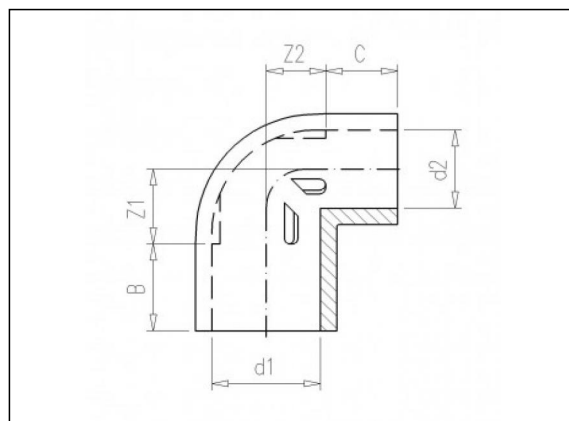
## Productinformatie

### Materiaal

- PVC-U = Polyvinylchloride zonder weekmaker

### Vervaardiging

- Spuitgiet



## Beschikbare artikelen

ART.CODE	d1	d2	Z1	Z2	B	C	PN	Verp
WIT226021	50	32	28	33	31	22	10	150
WIT226031	50	40	28	29	31	26	10	135

### Van de Lande BV

Lissenveld 1 \ 4941 VK Raamsdonksveer \ The Netherlands \ t +31 (0)162 51 60 00 \ f +31 (0)162 52 14 17 \ sales@vandelande.com  
Traderegister Tilburg: 18070844 \ IBAN: NL13 RABO 0143 0035 26 \ BIC: RABONL2U \ VAT: NL 8123.91.755.B01

All our transactions are subject to the Van de Lande General Terms of Sale. A copy of these can be provided immediately upon your request.