

5.23 Хомут для трубопровода

Информация о продукции

Материал

- ПП (PP) = полипропилен

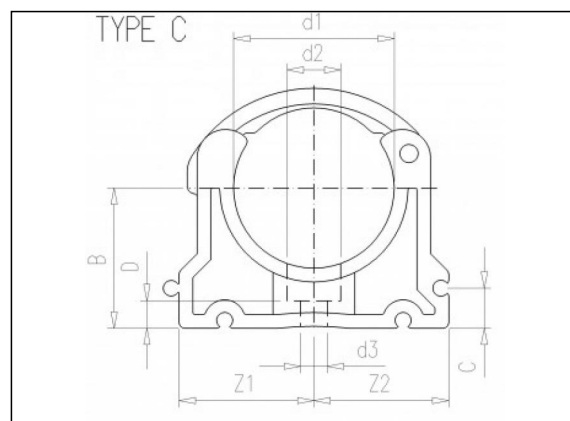
Технология

- Изготавливается литьем под давлением

Детали



5.24 Блок для насадки



Позиции в наличии

ART.CODE	d1	Nor m	d2	d3	Z1	Z2	B	C	D	E	Type	Verp
5.23.012	1/4	BS/A NSI	8.3	4.5	11	13.5	22	10	6	12	A	500 (50x10)
5.23.016	3/8	BS/A NSI	10.5	5.5	14	16.5	23.5	10	6	16	B	400 (40x10)
5.23.020	1/2	BS/A NSI	10.5	5.5	16.5	19	23.5	10	6	16	B	400 (40x10)
5.23.025	3/4	BS/A NSI	10.5	5.5	19	21.5	28.5	10	6	16	B	800 (80x10)

Van de Lande BV

Lissenveld 1 \ 4941 VK Raamsdonksveer \ The Netherlands \ t +31 (0)162 51 60 00 \ f +31 (0)162 52 14 17 \ sales@vandelande.com
 Traderegister Tilburg: 18070844 \ IBAN: NL13 RABO 0143 0035 26 \ BIC: RABONL2U \ VAT: NL 8123.91.755.B01

www.vandelande.com

ART.CODE	d1	Norm	d2	d3	Z1	Z2	B	C	D	E	Type	Verp
5.23.032	1	BS/A NSI	10.5	5.5	24	26.5	32	10	6	16	B	600 (60x10)
5.23.040	1 1/4	BS/A NSI	14	6.5	33.5	33.5	36	10	6.5	22	C	250 (25x10)
5.23.050	1 1/2	BS/A NSI	14	6.5	37	37	39	10	6.5	22	C	250 (25x10)
5.23.063	2	BS/A NSI	17	8.5	44.5	44.5	50	10	10	25	C	150 (15x10)
5.23.080	2 1/2	ANSI	17	8.5	52	52	56.5	10	10	25	C	80 (8x10)
5.23.110	4	BS/A NSI	17	8.5	78	78	82	10	10	28	C	50 (5x10)
5.25.075	2 1/2	BS	17	8.5	52	52	57.5	10	10	25	C	80 (8x10)
5.25.090	3	BS/A NSI	17	8.5	64.5	64.5	65	10	10	28	C	60 (6x10)
5.25.140	5	BS/A NSI	17	8.5	97	97	110	10	10	31.5	C	20 (2x10)

Van de Lande BV

Lissenveld 1 \ 4941 VK Raamsdonksveer \ The Netherlands \ t +31 (0)162 51 60 00 \ f +31 (0)162 52 14 17 \ sales@vandelande.com
 Traderegister Tilburg: 18070844 \ IBAN: NL13 RABO 0143 0035 26 \ BIC: RABONL2U \ VAT: NL 8123.91.755.B01

www.vandelande.com

All our transactions are subject to the Van de Lande General Terms of Sale. A copy of these can be provided immediately upon your request.