

## 5.24 Блок для насадки

### Информация о продукции

**Материал**

- ПП (PP) = полипропилен

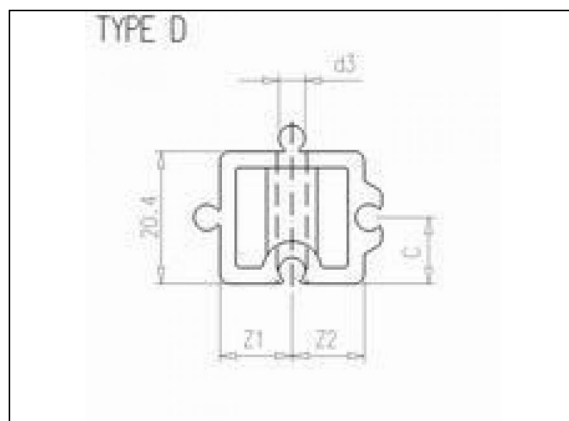
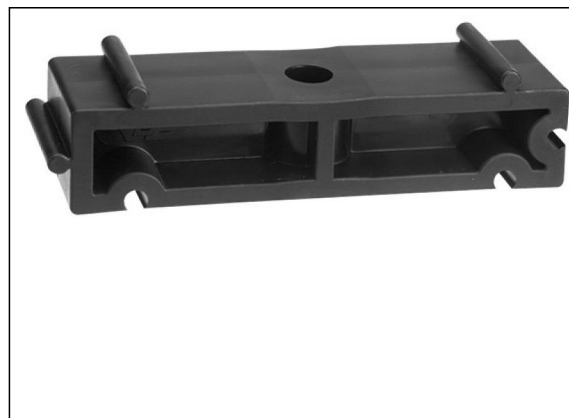
**Технология**

- Изготавливается литьем под давлением

### Детали



5.23 Хомут для трубопровода



### Позиции в наличии

ART.CODE	Dia	d3	Z1	Z2	H	C	E	Type	Verp
5.24.016	3/8	5.5	14	16.5	20	10	16	E	400 (40x10)
5.24.020	1/2	5.5	16.5	19	20	10	16	E	400 (40x10)
5.24.025	3/4	5.5	19	21.5	20	10	16	E	800 (80x10)

**Van de Lande BV**

Lissenveld 1 \ 4941 VK Raamsdonksveer \ The Netherlands \ t +31 (0)162 51 60 00 \ f +31 (0)162 52 14 17 \ sales@vandelande.com  
 Traderegister Tilburg: 18070844 \ IBAN: NL13 RABO 0143 0035 26 \ BIC: RABONL2U \ VAT: NL 8123.91.755.B01

ART.CODE	Dia	d3	Z1	Z2	H	C	E	Type	Verp
5.24.032	1	5.5	24	26.5	20	10	16	E	600 (60x10)
5.24.040	1 1/4	6.5	33.5	33.5	20	10	22	E	250 (25x10)
5.24.050	1 1/2	6.5	37	37	20	10	22	E	500
5.24.063	2	8.5	44.5	44.5	20	10	25	E	150( 15x10)
5.24.075	2 1/2	8.5	52	52	20	10	25	E	80 (8x10)
5.24.090	3	8.5	64.5	64.5	20	10	28	E	100 (10x10)
5.24.110	4	8.5	78	78	20	10	28	E	80 (8x10)
5.24.140	5	8.5	97	97	20	10	31.5	E	140( 14x10)

**Van de Lande BV**

Lissenveld 1 \ 4941 VK Raamsdonksveer \ The Netherlands \ t +31 (0)162 51 60 00 \ f +31 (0)162 52 14 17 \ sales@vandelande.com  
Traderegister Tilburg: 18070844 \ IBAN: NL13 RABO 0143 0035 26 \ BIC: RABONL2U \ VAT: NL 8123.91.755.B01

[www.vandelande.com](http://www.vandelande.com)

All our transactions are subject to the Van de Lande General Terms of Sale. A copy of these can be provided immediately upon your request.