

1.15/1.16 Отвод 45°

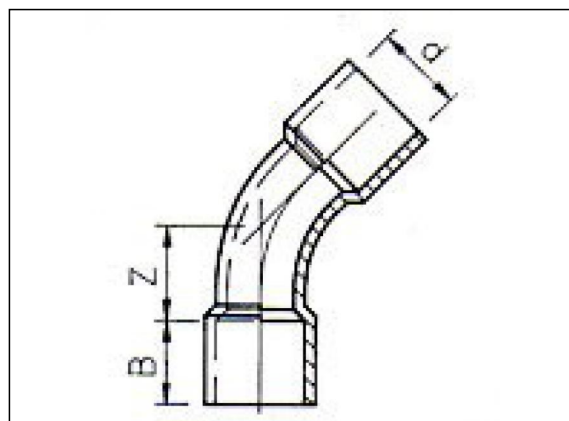
Информация о продукции

Материал

- НПВХ (PVC-U) = непластифицированный поливинилхлорид

Технология

- Изготавливается из трубы



Позиции в наличии

ART.CODE	d	Z	B	PN	Verp
1.15.032	32	26	22-2 5	10	300
1.15.040	40	36	26-3 0	10	150
1.15.050	50	40	31-3 5	10	150
1.15.063	63	46	38-4 3	10	90
1.15.075	75	54	44-5 1	10	50

Van de Lande BV

Lisenveld 1 \ 4941 VK Raamsdonksveer \ The Netherlands \ t +31 (0)162 51 60 00 \ f +31 (0)162 52 14 17 \ sales@vandelande.com
Traderegister Tilburg: 18070844 \ IBAN: NL13 RABO 0143 0035 26 \ BIC: RABONL2U \ VAT: NL 8123.91.755.B01

ART.CODE	d	Z	B	PN	Verp
1.15.090	90	63	51-5 9	10	30
1.15.110	110	80	61-7 0	12.5	15
1.15.125	125	89	69-7 9	12.5	10
1.15.140	140	98	76-8 7	12.5	7
1.15.160	160	119	86-9 9	12.5	5
1.15.200	200	143	106- 122	12.5	24
1.15.225	225	166	119- 136	12.5	15
1.15.250	250	190	131- 151	12.5	12
1.15.280	280	214	146- 168	12.5	9
1.15.315	315	236	164- 188	12.5	6
1.16.032	32	26	22-2 5	16	350
1.16.040	40	36	26-3 0	16	150
1.16.050	50	40	31-3 5	16	125
1.16.063	63	46	38-4 3	16	60
1.16.075	75	54	44-5 1	16	40
1.16.090	90	77	51-5 9	16	20

Van de Lande BV

Lissenveld 1 \ 4941 VK Raamsdonksveer \ The Netherlands \ t +31 (0)162 51 60 00 \ f +31 (0)162 52 14 17 \ sales@vandelande.com
 Traderegister Tilburg: 18070844 \ IBAN: NL13 RABO 0143 0035 26 \ BIC: RABONL2U \ VAT: NL 8123.91.755.B01

www.vandelande.com

All our transactions are subject to the Van de Lande General Terms of Sale. A copy of these can be provided immediately upon your request.