

1.17 Отвод 30°

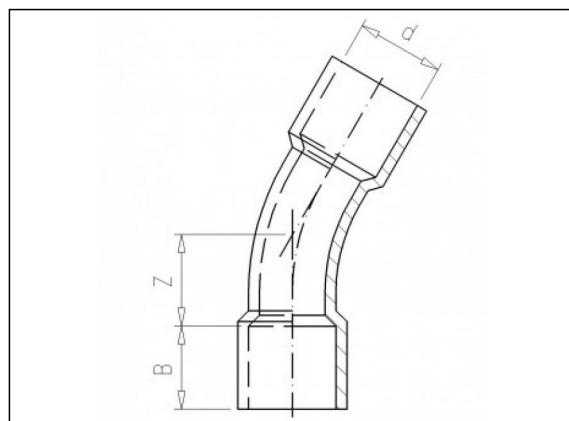
Информация о продукции

Материал

- НПВХ (PVC-U) = непластифицированный поливинилхлорид

Технология

- Изготавливается из трубы



Позиции в наличии

ART.CODE	d	Z	B	PN	Verp
1.17.063	63	48	38-4 3	10	90
1.17.090	90	65	51-5 9	10	30
1.17.110	110	79	61-7 0	12.5	15
1.17.125	125	92	69-7 9	12.5	10
1.17.140	140	106	76-8 7	12.5	7

Van de Lande BV

Lisenveld 1 \ 4941 VK Raamsdonksveer \ The Netherlands \ t +31 (0)162 51 60 00 \ f +31 (0)162 52 14 17 \ sales@vandelande.com
Traderegister Tilburg: 18070844 \ IBAN: NL13 RABO 0143 0035 26 \ BIC: RABONL2U \ VAT: NL 8123.91.755.B01

ART.CODE	d	Z	B	PN	Verp
1.17.160	160	122	86-9 9	12.5	5
1.17.200	200	147	106- 122	12.5	24
1.17.225	225	172	119- 136	12.5	15
1.17.250	250	195	131- 151	12.5	12
1.17.280	280	213	146- 168	12.5	1
1.17.315	315	240	164- 188	12.5	1

Van de Lande BV

Lissenveld 1 \ 4941 VK Raamsdonksveer \ The Netherlands \ t +31 (0)162 51 60 00 \ f +31 (0)162 52 14 17 \ sales@vandelande.com
Traderegister Tilburg: 18070844 \ IBAN: NL13 RABO 0143 0035 26 \ BIC: RABONL2U \ VAT: NL 8123.91.755.B01

All our transactions are subject to the Van de Lande General Terms of Sale. A copy of these can be provided immediately upon your request.